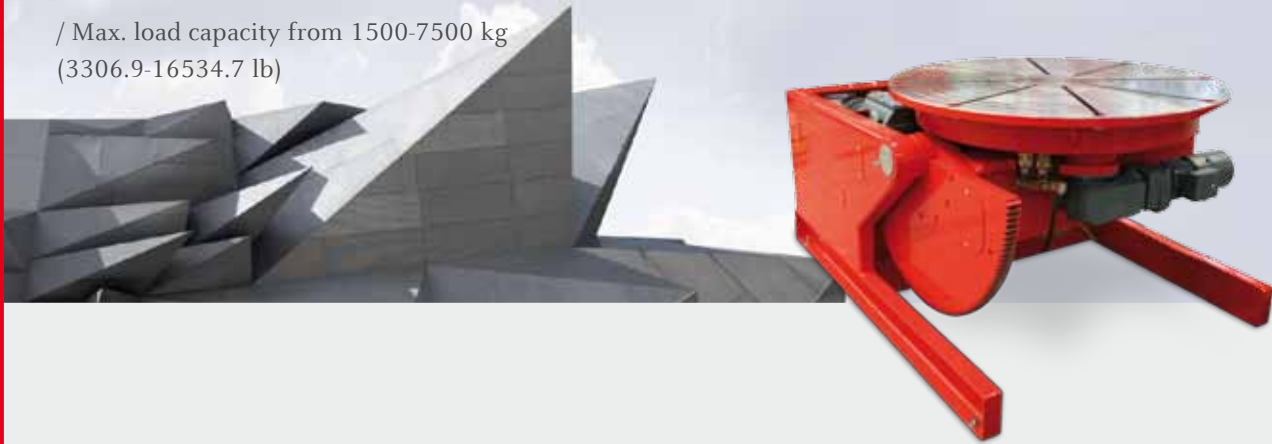


ROTILTING POSITIONER FRP 1500C/FPA-7500C/FPA

/ Max. load capacity from 1500-7500 kg
(3306.9-16534.7 lb)



/ Rotilting positioner are universal applicable for manual and mechanized welding applications as well as for precise positioning of work pieces.

STANDARD EQUIPMENT

- / Fabricated frame made of mild steel plate and channel section material
- / Faceplate with concentric circular markings
- / Anti-backlash device (back-to-back wormboxes) installed
- / Faceplate flatness +/- 0,25 mm (1 in)
- / Version suitable for preheated parts up to 200° C (392°F)
- / Welding-current transfer 600 A via carbon brushes
- / Machine cut precision gearing for smooth rotation of table
- / AC helical/worm geared motor drive controlled by vector unitspeed holding accuracy to be +/- 0,1% of base speed (with option: encoder kit)
- / Tilting by AC geared motor fitted with fail-safe electromagnetic brake
- / Control unit mounted on frame with push buttons tilting up/down
- / Cam-operated limit switches to prevent overrun and fixed tilting speed
- / Remote control with cable (8 m / 315 in)
- / Mains cable 10 m (393.7 in) with plug
- / 4 pc. concrete anchor with M24 nut
- / 4 pc. levelling device (metal plates and screws)

FUNCTIONS

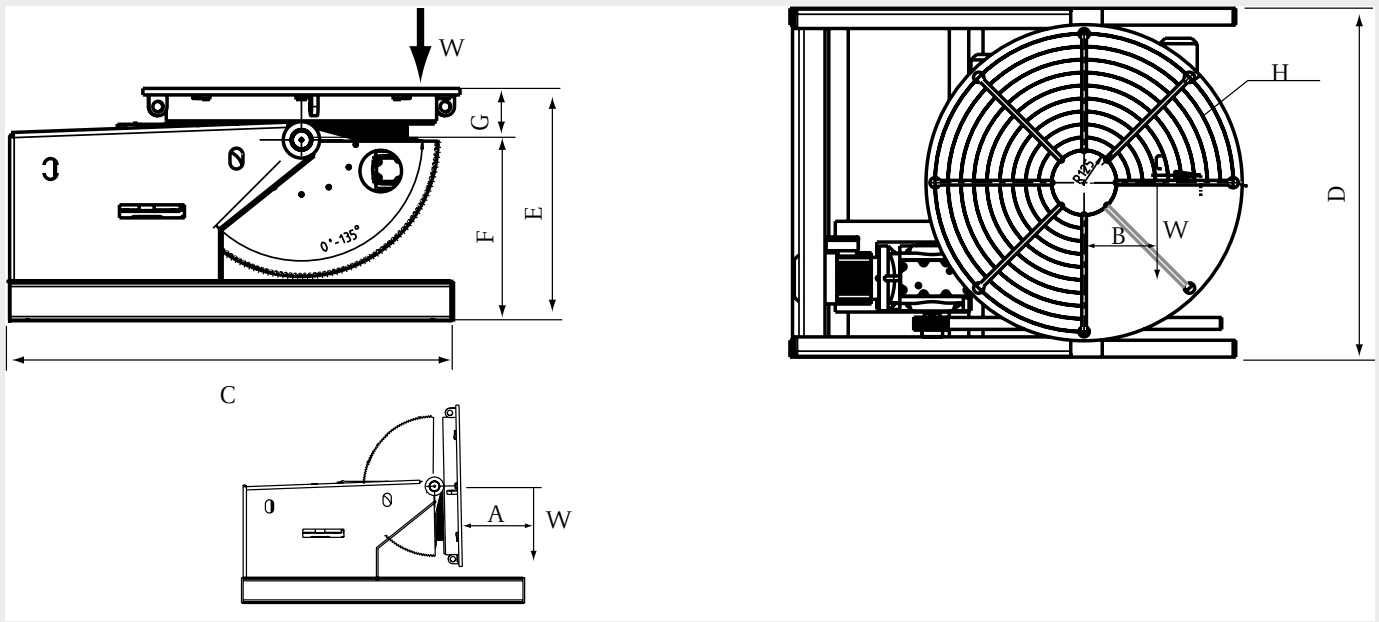
- / Left/stop/right
- / Tilting up/down
- / Rotation speed
- / Emergency-stop

ACCESSORIES

- / Faceplate in sandwich-design (suitable for preheated parts up to 400°C /752°F)
- / I-kit slip ring assembly for heating system
- / System controller FPA 2003/FPA 9000
- / Chucks FGC, FSG, FMC
- / Mountingsets for chucks

TECHNICAL DATA

	FRP 1500C/FPA	FRP 3000C/FPA	FRP 4500C/FPA	FRP 7500C/FPA
Max. load capacity horizontal (W)	1500 kg (3306.9 lb)	3000 kg (6613.9 lb)	4500 kg (9920.8 lb)	7500 kg (16534.7 lb)
Tilting range (motorized)	0-135°	0,135°	0-135°	0-135°
Max. rotation torque/tilting torque	1500 Nm/ 3000 Nm (1106.3 ft lb/ 2212.7 ft lb)	3000 Nm/ 6000 Nm (2212.7 ft lb/ 4425.4 ft lb)	4500 Nm/ 9000 Nm (3319 ft lb/ 6638.1 ft lb)	7500 Nm/ 24000 Nm (5531.7 ft lb/ 17701.5 ft lb)
Dimensions				
A (rated center of gravity)	150 mm (5.9 in)	150 mm (5.9 in)	150 mm (5.9 in)	300 mm (11.8 in)
B (rated eccentricity)	150 mm (5.9 in)	150 mm (5.9 in)	150 mm (5.9 in)	150 mm (5.9 in)
C	1350 mm (53.1 in)	1610 mm (63.4 in)	1700 mm (66.9 in)	2100 mm (82.7 in)
D	920 mm (36.2 in)	1250 mm (49.2 in)	1350 mm (53.1 in)	1600 mm (63 in)
E	1000 mm (39.4 in)	1012 mm (39.8 in)	1230 mm (48.4 in)	1200 mm (47.2 in)
F	850 mm (33.5 in)	862 mm (33.9 in)	1080 mm (42.5 in)	1020 mm (40.2 in)
G	150 mm (5.9 in)	150 mm (5.9 in)	150 mm (5.9 in)	180 mm (7.1 in)
H	920 mm (36.2 in)	1070 mm (42.1 in)	1220 mm (48 in)	1525 mm (60 in)
Thickness of face-plate	22 mm (0.9 in)	25 mm (1 in)	25 mm (1 in)	25 mm (1 in)
Table slots-bolt size	M16	M20	M20	M20
Max. welding-current transfer	600 A	600 A	600 A	600 A
Rotation speed	0,075-3,0 rpm	0,075-3,0 rpm	0,075-3,0 rpm	0,075-3,0 rpm
Tilting speed for 135°	30 sec.	45 sec.	42 sec.	60 sec.
Mains voltage, 50 Hz	3 x 400 V	3 x 400 V	3 x 400 V	3 x 400 V
Net weight	750 kg (1653.5 lb)	1400 kg (3086.5 lb)	1500 kg (3306.9 lb)	2200 kg (4850.2 lb)



/ Battery Charging Systems / Welding Technology / Solar Electronics

WE HAVE THREE DIVISIONS AND ONE PASSION: SHIFTING THE LIMITS.

/ Whether Battery Charging Systems, Welding Technology or Solar Electronics - our goal is clearly defined: to be the technology and quality leader. With more than 3,000 employees worldwide, we shift the limits of what's possible - our 737 active patents are testimony to this. While others progress step by step, we innovate in leaps and bounds. Further information about all Fronius products and our global sales partners and representatives can be found at www.fronius.com.



v02 2011 EN

Fronius Canada Ltd.
2875 Argentia Road, Units 4,5 & 6
Mississauga, ON L5N 8G6
Canada
Telephone +1 905 288-2100
Fax +1 905 288-2101
sales.canada@fronius.com
www.fronius.ca

Fronius USA LLC
10421 Citation Drive, Suite 1100
Brighton, Michigan 48116
USA
Telephone +1 810 220 4414
Fax +1 810 220 4424
sales.usa@fronius.com
www.fronius-usa.com

Fronius International GmbH
Froniusplatz 1
4600 Wels
Austria
Telephone +43 7242 241-0
Fax +43 7242 241-3940
sales@fronius.com
www.fronius.com