

**NEW!**  
Also with  
electronic arc  
voltage control  
(AVC)!

# P16, P16 AVC, P20, P24



## Welding heads for tube-to-tube-sheet orbital welding

The versatile TIG tube-to-tube-sheet welding heads P16, P16 AVC, P20 and P24 are nearly suitable for all tube-to-tube-sheet weldings and guarantee results with high precision and continuous quality.

Together with the ORBIMAT CA or CB-range of orbital welding power supplies you will get a state-of-the-art welding system.

### Features:

- Easy and safe handling with most functionality
- Completely water-cooled machine body (P16) and torch
- Multifunctional adjustments of the electrode position
- Up to 30° continuous swivelling TIG torch (P16,P20)
- Rotating wire feed unit at torch axis (P16)
- Precise centering by means of exchangeable mandrels

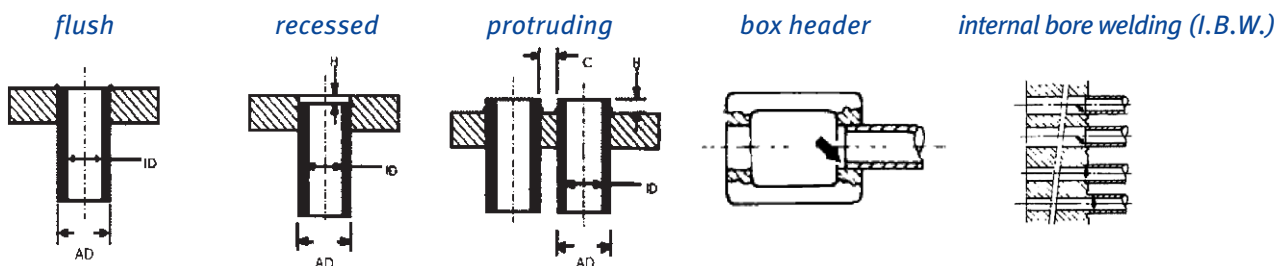


❖ *Orbital welding  
power supply  
ORBIMAT 300 CA*



❖ *Mandrels*

### Welding positions:



# Accessories for orbital welding tube-to-tube-sheet heads



**Pneumatic Centering Device**  
for inside centering for tube-to-tube-sheet welding



**Purge Gas Chamber**  
to prevent tarnish from easily oxidizable material, e.g. titanium

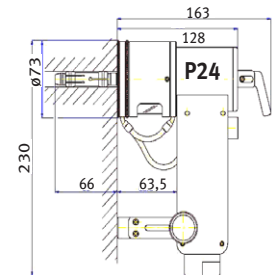
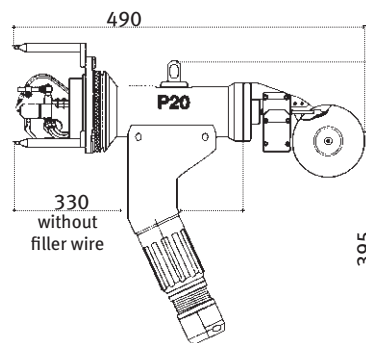
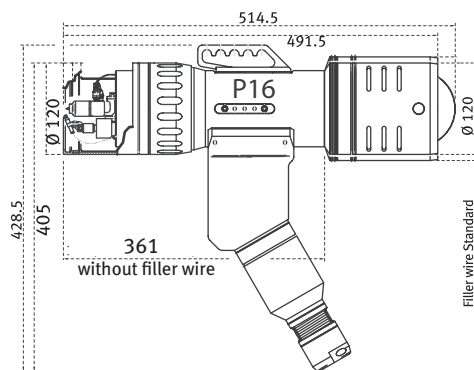


**Special Torches**  
individual torches for e.g. I.B.W. (internal welding), box header, etc.



**Centering Devices & Mandrels**  
The tube-ID is required to select the correct centering tool

## Technical Dimensions:



## Technical Data

Welding head	P16 with cold-wire feeding	P16 without cold-wire feeding	P16 AVC with cold-wire feeding	P20 with cold-wire feeding	P20 without cold-wire feeding	P24
Code	831 000 001	831 000 003	831 000 002	832 000 002	832 000 001	830 000 001
from tube-ID up to tube-OD*	8 - 78 mm	8 - 78 mm	12 - 100 mm	8 - 70 mm	8 - 70 mm	10 - 26 mm
Output range max.	200 A	200 A	200 A	200 A	200 A	100 A
Rotation wire motor	24 VDC with tacho					
Rotation speed	max. 5,00 rpm					max. 3,2 rpm
Filler wire	1 kg Spool, diam. 100 mm					-
Wire diameter	0,6 - 1,2 mm (standard 0,8)					-
Weight (without cable assembly) 10 kg	8 kg	11 kg	6 kg	5 kg	1,2 kg	

\* for other dimensions on request

Stamp of distributor:

© Orbitalum Tools GmbH (08.2011)

The technical data are not binding. They are not warranted characteristics and are subject to change. Please consult our general conditions of supply.



**Orbitalum Tools GmbH**  
Josef-Schüttler-Str. 17  
78224 Singen  
Germany

**Sales Contact:**  
Tel. +49 (0) 77 31 792-523  
Fax +49 (0) 77 31 792-524  
tools@orbitalum.com