

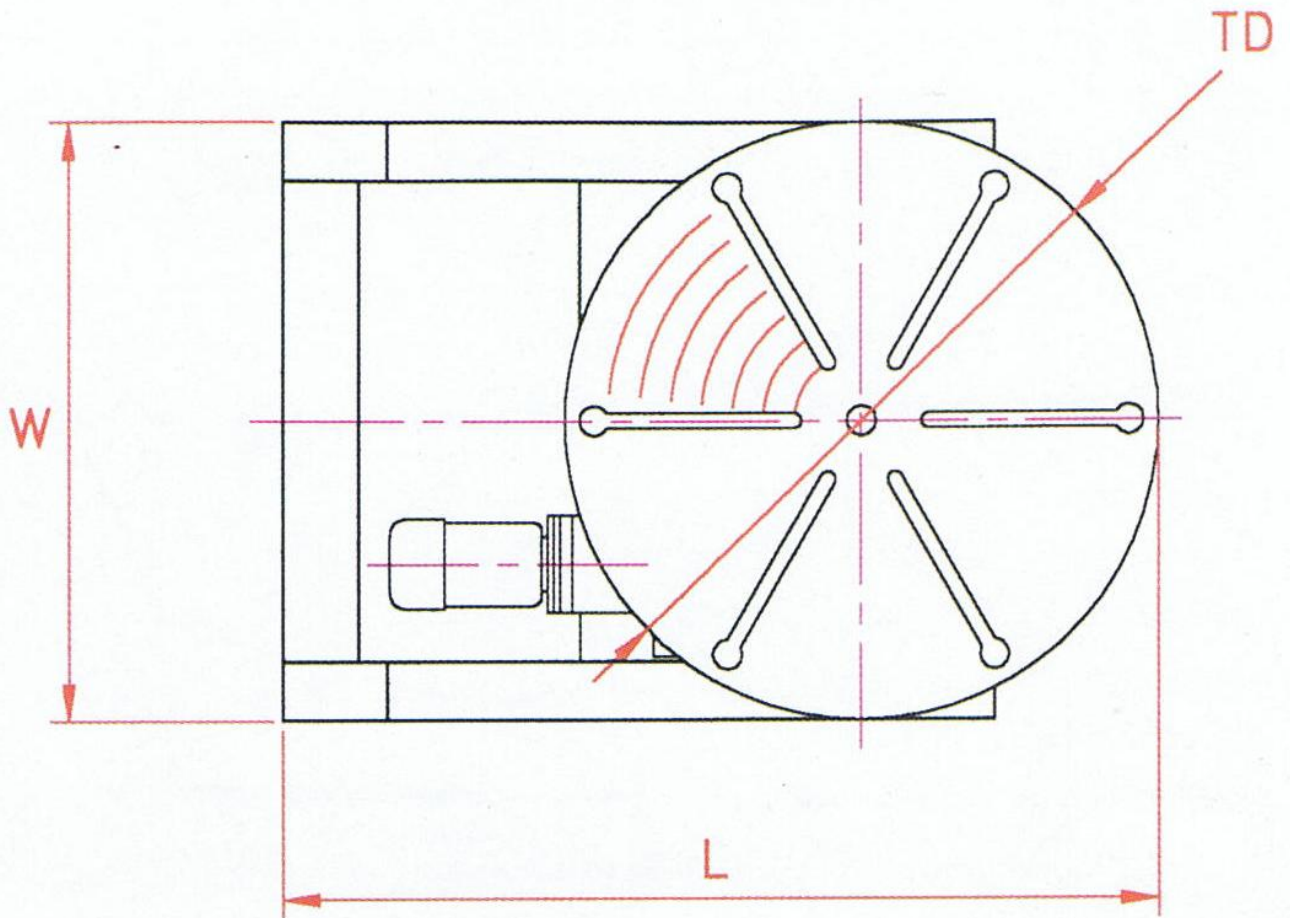
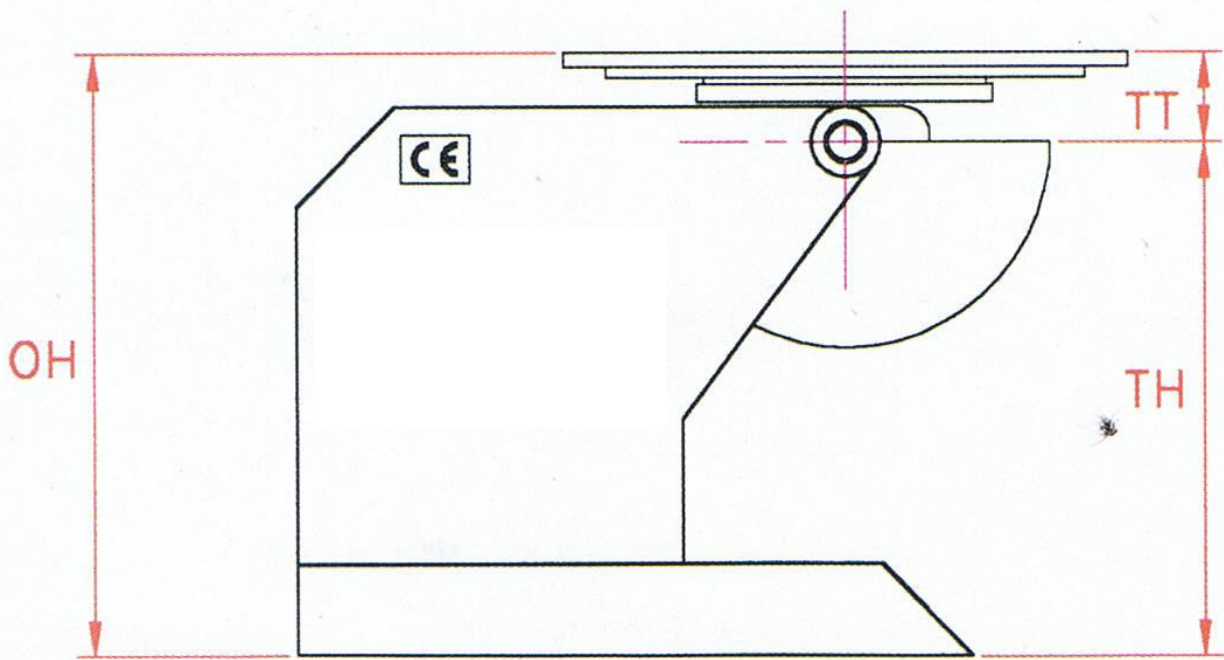
SPECIFICATION



Stock Number	-	2232
Maximum Load W	-	10,000kg
Centre of Gravity	-	500mm
Eccentricity	-	150mm
Rotation Speed	-	0.2- 1.1 rpm
Tilt	-	Powered
Overall Length	L	250cm
Overall Width	W	191cm
Height of Table (Flat)	OH	180cm
Height of Trunnion	TH	151cm
Height Trunion to Table	TT	180cm
Table Size	TD	2000mm, (12 slots, 23mm)
Power Supply	-	415V, 3Phase, 32A
Mains Cable Length*	-	6m
Pendent Cable length	-	8m

Remote Hand Control Pendant, with Tilt Up/ Tilt Down, Forward/ Reverse and Stop Push Buttons

*Note Customer is to fit their own plug to suit



Westermans International Ltd
 Unit 4 Midland Distribution Centre
 Markfield Road, Groby
 Leicestershire LE6 0FS

www.westermans.com

welding@westermans.com

Tel: +44(0) 116 2696941