

# IDEALARC CV 420 & CV 505

---

Spare Parts.....	1
IDEALARC CV 420 & CV 505.....	1
Figure A: Machine Assembly .....	2
Figure B: Machine Assembly (Rear side).....	3
Electrical Schematic .....	4
WEEE .....	6



# Spare Parts

SP50166/50167 Rev. 1  
07/03

## IDEALARC CV 420 & CV 505

ASSEMBLY PAGE NAME			Machine Assembly	Machine Assembly (Rear side)					
CODE NO.:	K NO.:	FIGURE NO.:	A	B					
50166	K14028-3A	CV 420 AIR 220/380/440V 3Ph	1	1					
50167	K14029-3A	CV 505 AIR 220/380/440V 3Ph	2	2					

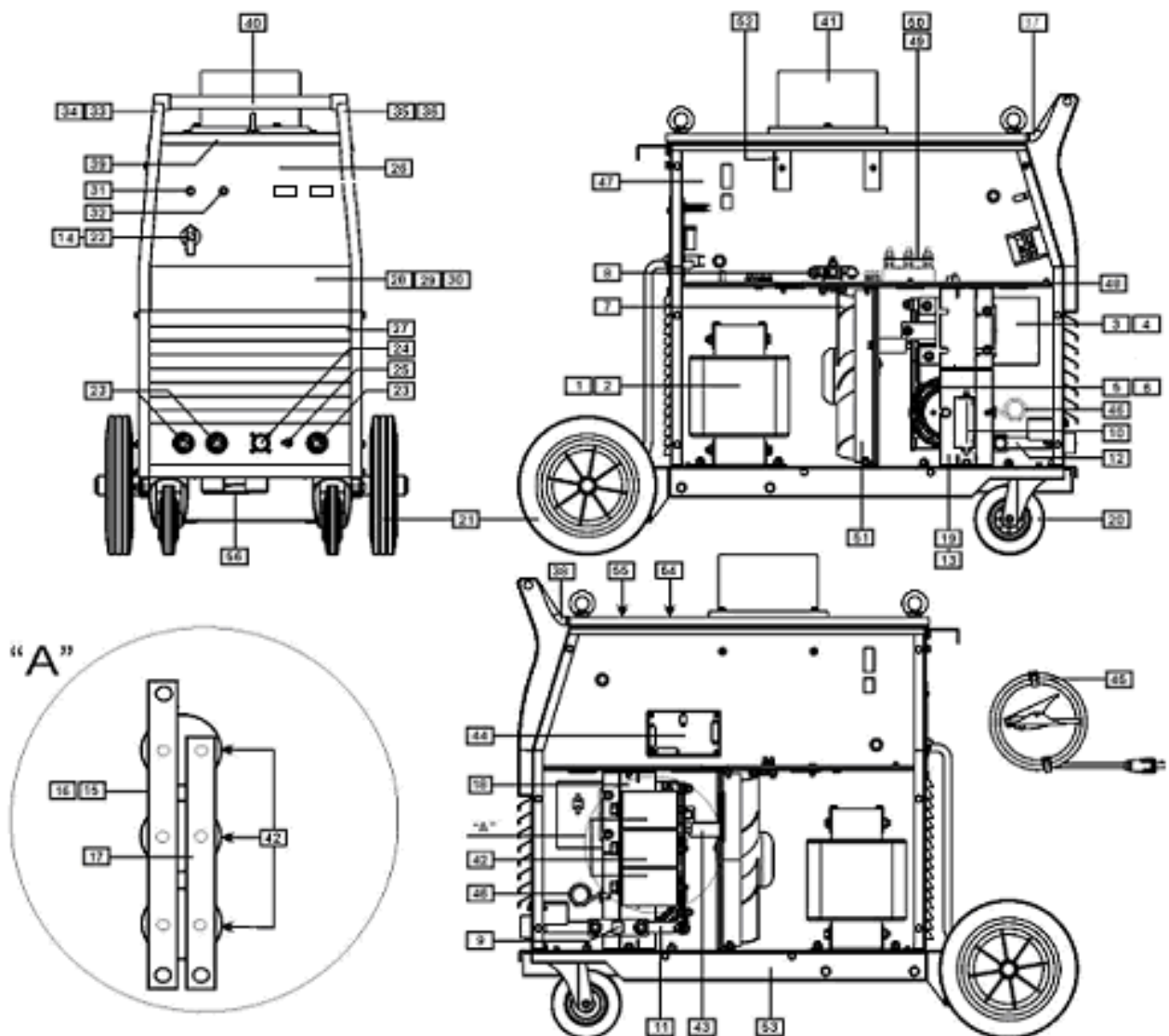


Figure A

**Figure A: Machine Assembly**

Item	Description	Part Number	QTY	1	2	3	4	5	6
1	MAIN TRANSFORMER T1	R-4034-097-1R	1	X	•				
2	MAIN TRANSFORMER T1	R-4034-098-1R	1	•	X				
3	RECTIFIER SET V1	R-0010-272-1AR	1	X	•				
4	RECTIFIER SET V1	R-0010-273-1AR	1	•	X				
5	CHOKE L1	R-4034-002-2R	1	X	•				
6	CHOKE L1	R-4034-077-1R	1	•	X				
7	FAN M1	R-8040-055-1R	1	X	X				
8	CAPACITORS C1,C2,C3	1158-125-374R	3	X	X				
9	SHUNT R2	0941-712-026R	1	X	X				
10	RESISTOR R1	1158-112-360R	1	X	X				
11	CONDUCTOR-RAIL	R-1010-014-1R	1	X	X				
12	CONDUCTOR-RAIL	R-1010-015-1R	1	X	X				
13	DIVIDER PANEL	R-3019-160-1/08R	1	•	X				
14	MAIN SWITCH S1	1115-260-009R	1	X	•				
15	CONDUCTOR-RAIL	R-1010-018-1R	1	•	X				
16	CONDUCTOR-RAIL	R-1010-019-1R	1	X	•				
17	CONDUCTOR-RAIL	R-1010-020-1R	1	X	X				
18	DIVIDER PANEL	R-3019-159-1/08R	1	X	X				
19	DIVIDER PANEL	R-3019-161-1/08R	1	X	•				
20	TURNING WHEEL	1029-660-127R	2	X	X				
21	WHEEL	1029-660-250R	2	X	X				
22	MAIN SWITCH S1	1115-260-118R	1	•	X				
23	SOCKET X2, X3, X4	C-2986-001-3R	3	X	X				
24	SOCKET X10	1158-641-130R	1	X	X				
25	VOLTMETER POLARITY SWITCH S9	1158-650-023R	1	X	X				
26	FRONT DECAL	R-0010-432-1R	1	X	X				
27	FRONT PANEL	R-3019-028-1/08R	1	X	X				
28	COVER	R-8040-035-2R	1	X	X				
29	LABEL	2719-107-992R	1	X	•				
30	LABEL	2719-107-993R	1	•	X				
31	SIGNAL LAMP H1	0917-421-041R	1	X	X				
32	SIGNAL LAMP H2	0917-421-024R	1	X	X				
33	LEFT HOLDER	1362-212-002R	1	X	X				
34	LEFT BRACKET (HANDLE)	D-3631-908-1/08R	1	X	X				
35	RIGHT HOLDER	1362-212-003R	1	X	X				
36	RIGHT BRACKET (HANDLE)	D-3631-908-2/08R	1	X	X				
37	LEFT SIDE HANDLE ASSEMBLY + CAP	1362-212-006R 1362-212-004R	1+1	X	X				
38	RIGHT SIDE HANDLE ASSEMBLY + CAP	1362-212-007R 1362-212-004R	1+1	X	X				
39	EDGE SHIELD	1362-212-010R	1	X	X				
40	HANDLE	0562-230-005R	1	X	X				
41	CARRIAGE SUPPORT	1361-598-181R	1	X	X				
42	CAPACITORS C5,C6,C7	1158-128-043R	3	X	X				
43	CAPACITOR C4	1158-121-001R	1	X	X				
44	CONTROL PCB	R-8040-208-1R	1	X	X				
45	GROUND CABLE WITH WORK CLAMP -3m	K14033-1	1	X	X				
46	POWER RESISSTOR R3	1158-112-008R	1	X	X				
47	DIVIDER PANEL	R-8040-021-2/08R	1	X	X				
48	SHELF	R-8040-066-1/08R	1	X	X				
49	TERMINAL BLOCK	1361-599-255R	2	X	X				
50	LABEL (U,V,W)	R-0010-291-1AR	1	X	X				
51	WALL RING	R-3019-030-1/08R	1	X	X				
52	SUPPORT	R-8040-034-1/08R	1	X	X				
53	BOTTOM	R-8040-080-2/08R	1	X	X				
54	TOP PANEL	R-8040-020-1/02R	1	X	X				
55	LABEL (WARNING)	2719-107-728R	1	X	X				
56	TRAY	R-8040-032-1/08R	1	X	X				
57	LEFT SIDE PANEL (not show)	R-8040-019-1/02R	1	X	X				
58	LABEL (LEFT SIDE PANEL) (not show)	2719-107-995R	1	X	•				
59	LABEL (LEFT SIDE PANEL) (not show)	2719-107-997R	1	•	X				
60	RIGHT SIDE PANEL (not show)	R-8040-019-2/02R	1	X	X				
61	RIGHT (LEFT SIDE PANEL) (not show)	2719-107-994R	1	X	•				
62	RIGHT (RIGHT SIDE PANEL) (not show)	2719-107-996R	1	•	X				

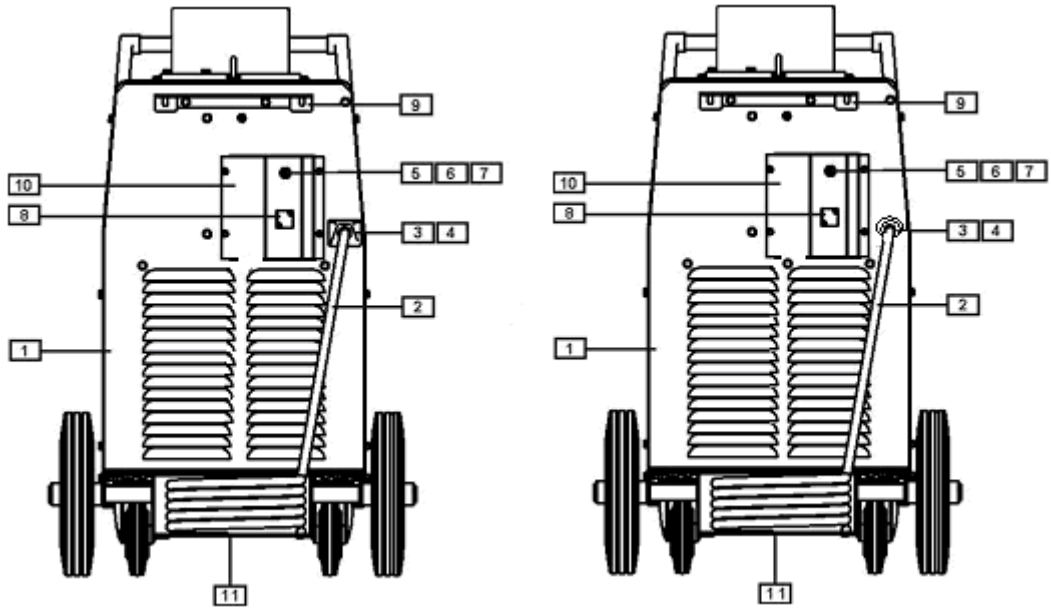
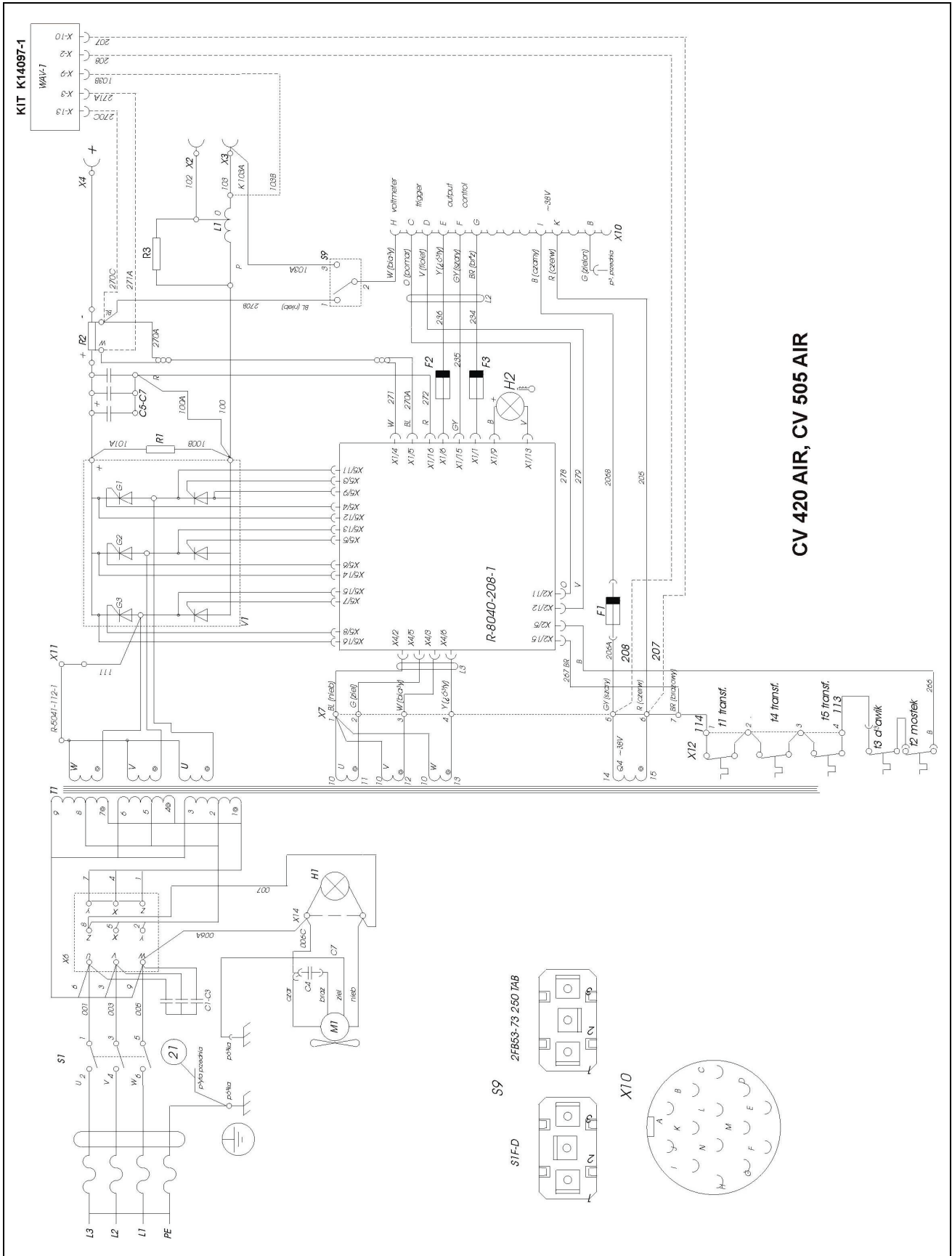


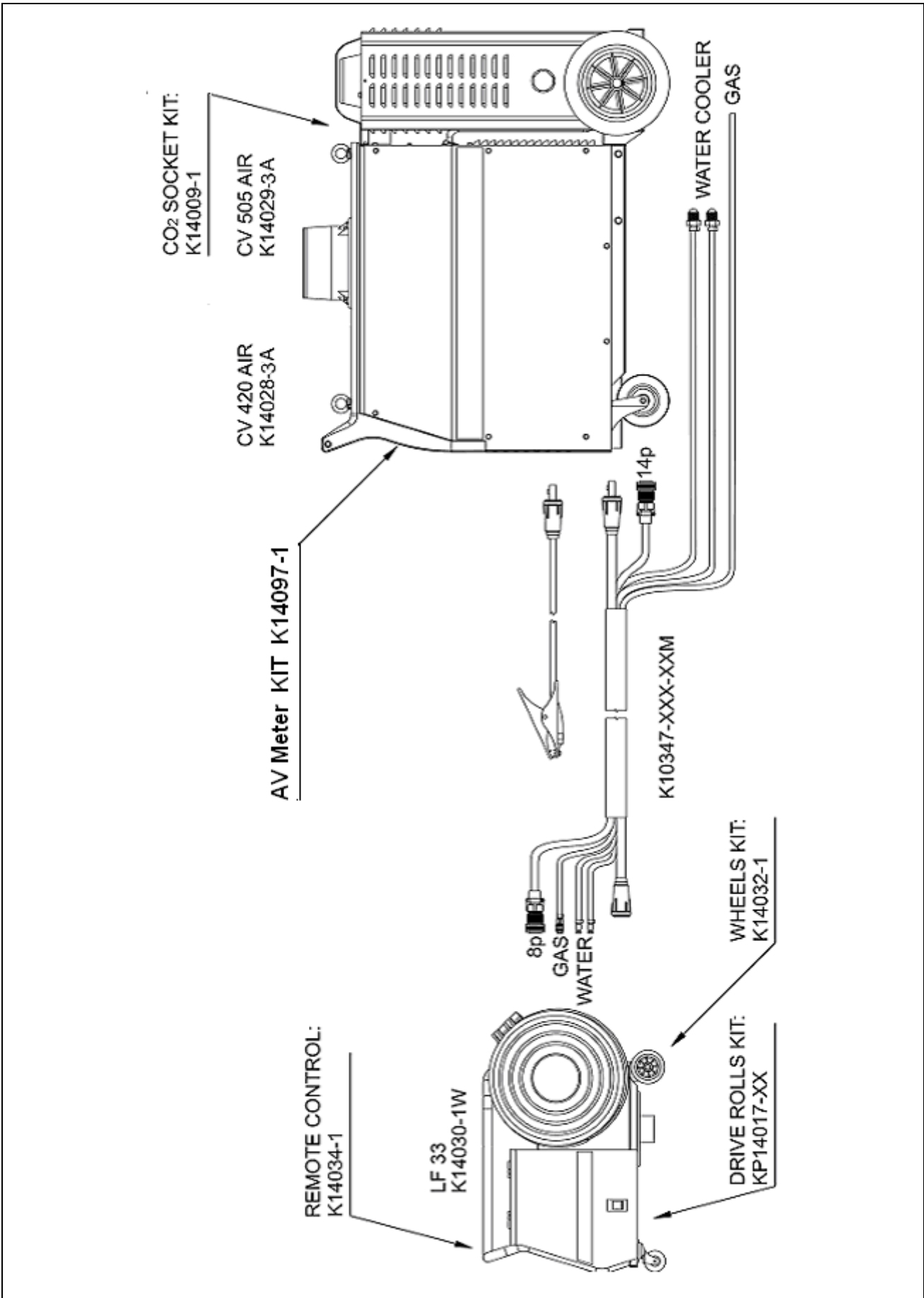
Figure B

**Figure B: Machine Assembly (Rear side)**

Item	Description	Part Number	QTY	1	2				
1	REAR PANEL	R-8040-031-1/08R	1	X	•				
	REAR PANEL	R-3040-129-1/08R	1	•	X				
2	MAINS CORD without PLUG -5m (4x6mm <sup>2</sup> )	R-5041-026-1R	1	X	•				
	MAINS CORD without PLUG -5m (4x10mm <sup>2</sup> )	R-5041-121-1R	1	•	X				
3	CABLE BOX	1361-599-665R	1	X	•				
	CABLE BOX	1361-599-250R	1	•	X				
4	CAMP	1361-599-633R	1	X	•				
	CAMP	1361-599-620R	1	•	X				
5	FUSE F1 (6,3A, 400V)	1158-660-008R	1	X	X				
6	FUSE SOCKET	1158-632-032R	1	X	X				
7	FUSE CAP	1158-632-033R	1	X	X				
8	HOLE PLUG	1361-599-058R	1	X	X				
9	CHAIN SUPPORT	C-2631-407-1/08R	1	X	X				
10	PANEL	D-3721-403-2/08R	1	X	X				
11	SHELF	R-3019-042-1/08R	1	X	X				
18	WIRING HARNESS (SECONDARY VOLTAGE)	R-7040-034-1R	1	X	X				
19	WIRING HARNESS (MAIN VOLTAGE)	R-7040-036-4R	1	X	X				

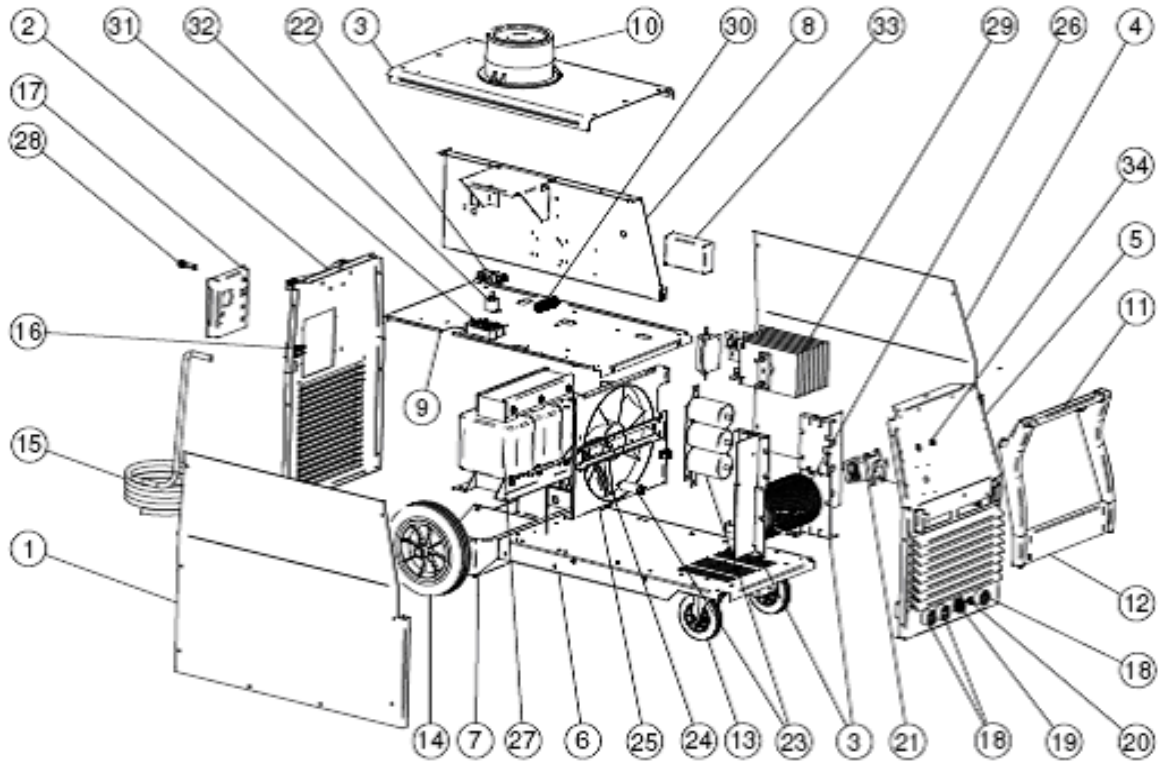
# Electrical Schematic



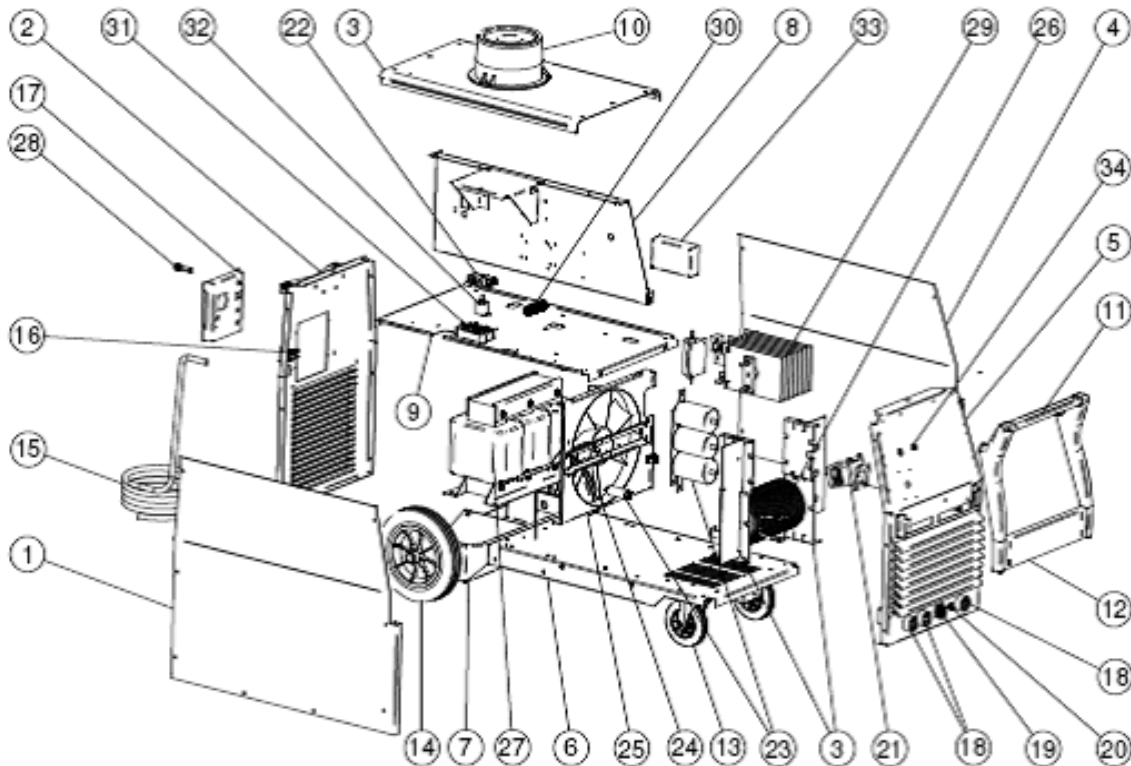




K14028 -3A CV 420 AIR



	Recycle					ST				
	Ref.	Fe	Al.	Cu	Brass	Boards	Plastics	Liquid Crystals	External Electric Cables	Capacitors
Left Side Panel Assembly	1	X								
Case Back Assembly	2	X								
Top Wrap-Around Panel	3	X								
Right Side Panel Assembly	4	X								
Case Front Assembly	5	X								
Base Assembly	6	X								
Undercarriage Assembly	7	X								
Divider Panel Assembly	8	X								
Compartment Panel Assembly	9	X								
Rotatable Bracket	10	X								
Handle Assembly	11	X	X				X			
Cover Assembly	12						X			
Turn Wheels	13	X					X			
Wheels	14						X			
Cables	15	X		X			X		X	
Cable Bushing	16						X			
Back Side Panel	17	X								
Diode Connector	18				X		X			
Remote Control Socket	19	X					X			
Switches	20, 21	X		X			X			
Capacitors	22, 23									X
Fan	24	X		X			X			
Fan Bracket	25	X								
Choke	26	X		X						
Transformer	27	X		X			X			
Fuse Socket	28	X					X			
3-Phase Bridge Rectifier	29	X	X				X			
Terminal Blocks	30	X					X			
Bus Bar	31			X	X		X			
Stand-off Insulator	32	X					X			
PCB	33					X				
Colorless Lamp	34						X			



	Recycle					ST				
	Ref.	Fe	Al.	Cu	Brass	Boards	Plastics	Liquid Crisla	External Electric Cables	Capacitors
Left Side Panel Assembly	1	X								
Case Back Assembly	2	X								
Top Wrap-Around Panel	3	X								
Right Side Panel Assembly	4	X								
Case Front Assembly	5	X								
Base Assembly	6	X								
Undercarriage Assembly	7	X								
Divider Panel Assembly	8	X								
Compartment Panel Assembly	9	X								
Rotatable Bracket	10	X								
Handle Assembly	11	X	X				X			
Cover Assembly	12						X			
Turn Wheels	13	X					X			
Wheels	14						X			
Cables	15	X		X			X		X	
Cable Bushing	16						X			
Back Side Panel	17	X								
Disse Connector	18				X		X			
Remote Control Socket	19	X					X			
Switches	20, 21	X		X			X			
Capacitors	22, 23									X
Fan	24	X		X			X			
Fan Bracket	25	X								
Choke	26	X		X						
Transformer	27	X		X			X			
Ruse Socket	28	X					X			
3-Phase Bridge Rectifier	29	X	X				X			
Terminal Blocks	30	X					X			
Bus Bar	31			X	X		X			
Stand-off Insulator	32	X					X			
PCB	33					X				
Colorless Lamp	34						X			