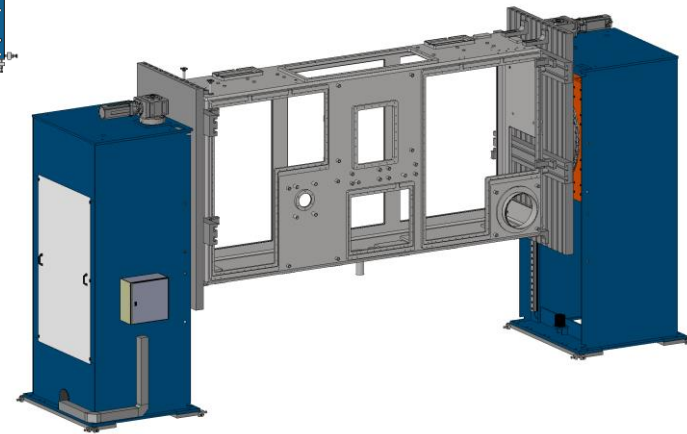
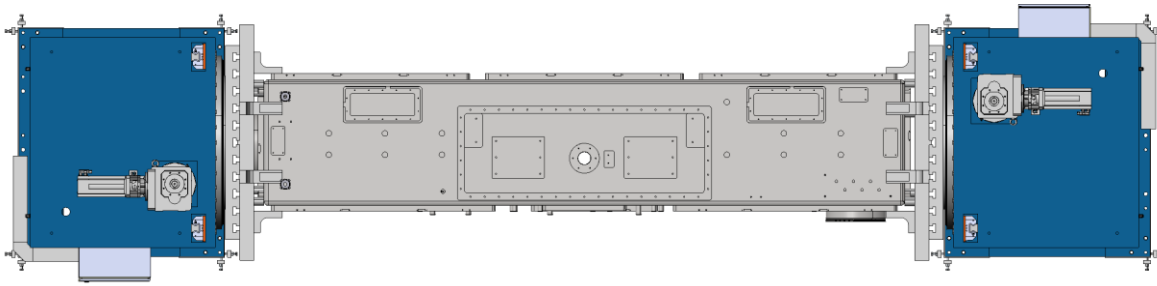
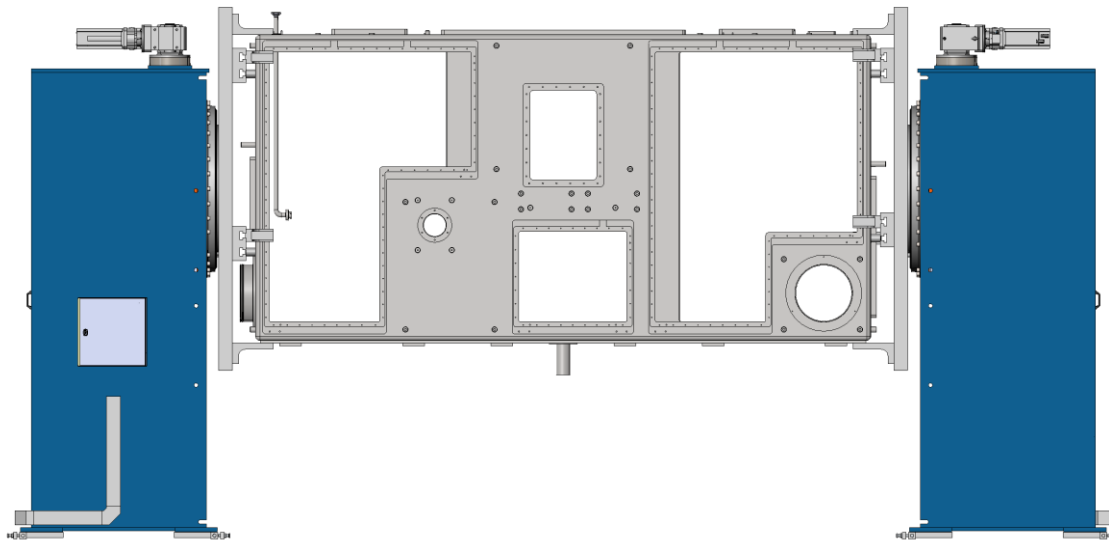


Part Holding Proposal

Component – B2014-T30401-00-001



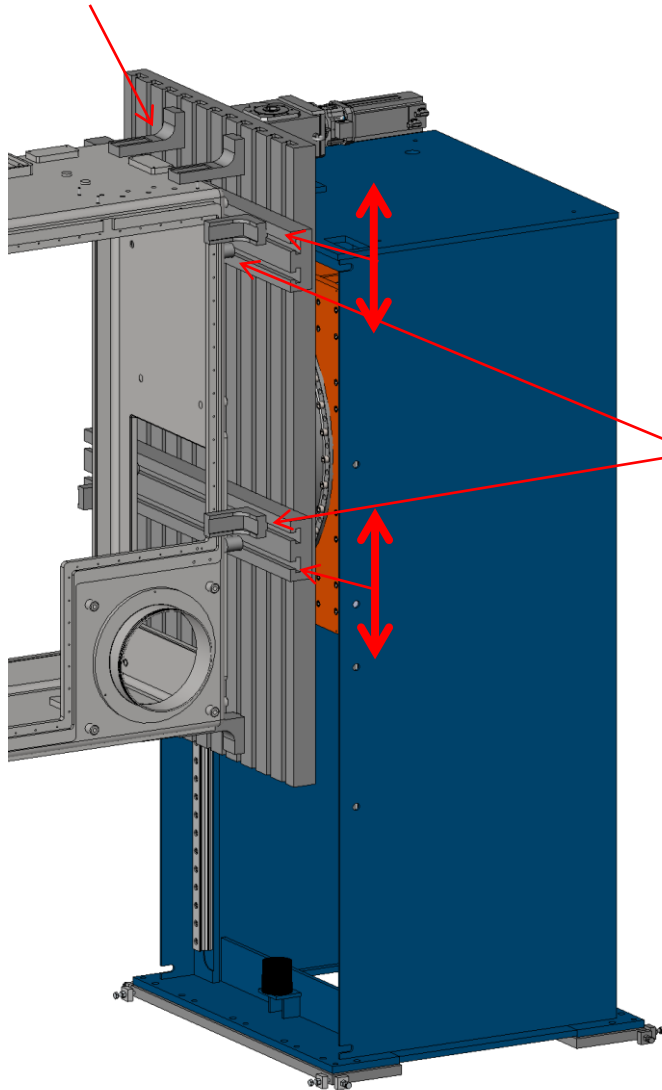
See next slide for more information



Part Holding Proposal

Component – B2014-T30401-00-001

Main table carries vertical clamps



End stops

Main table

Travelling tables

Travelling tables carry side clamps & end stops

