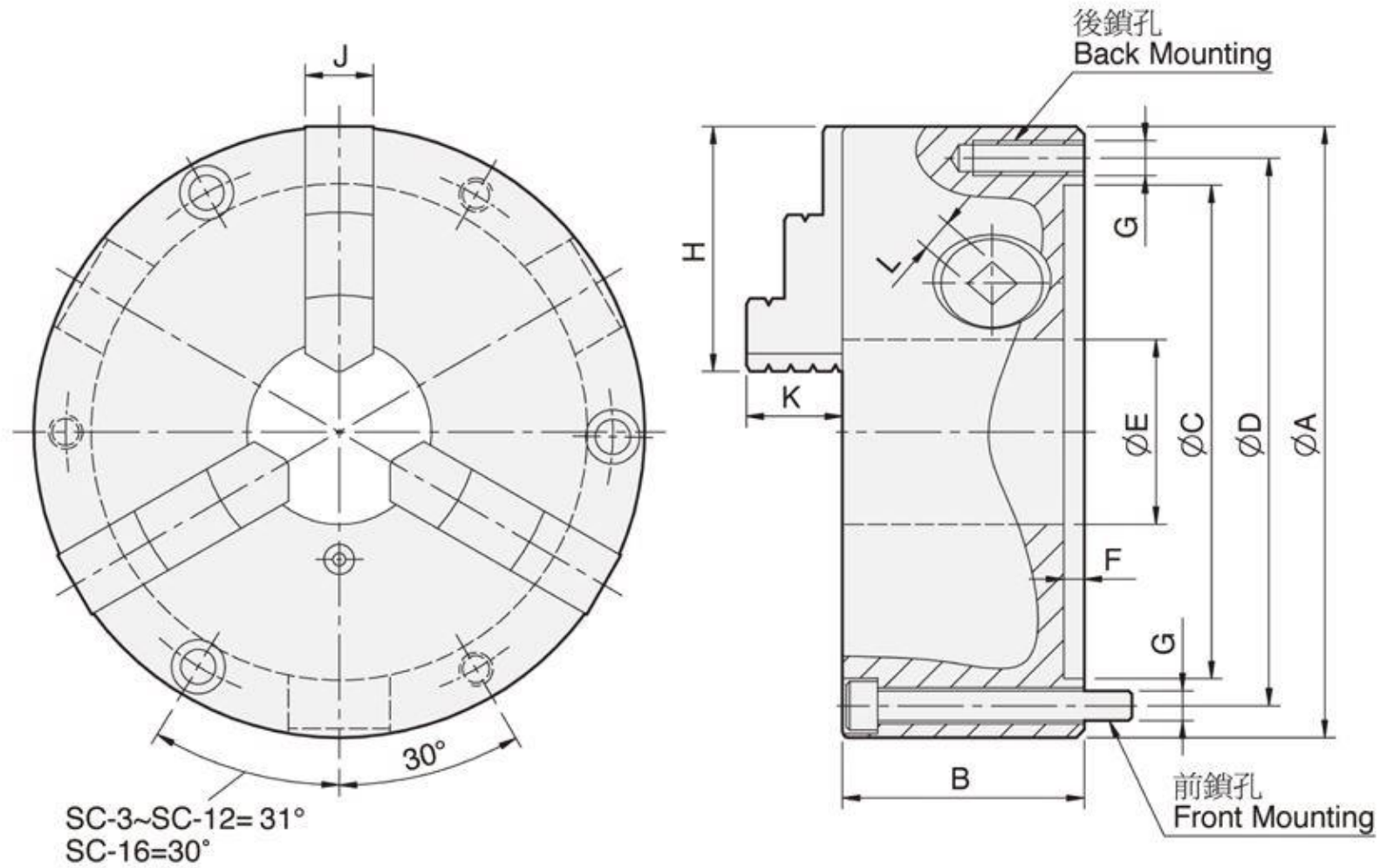
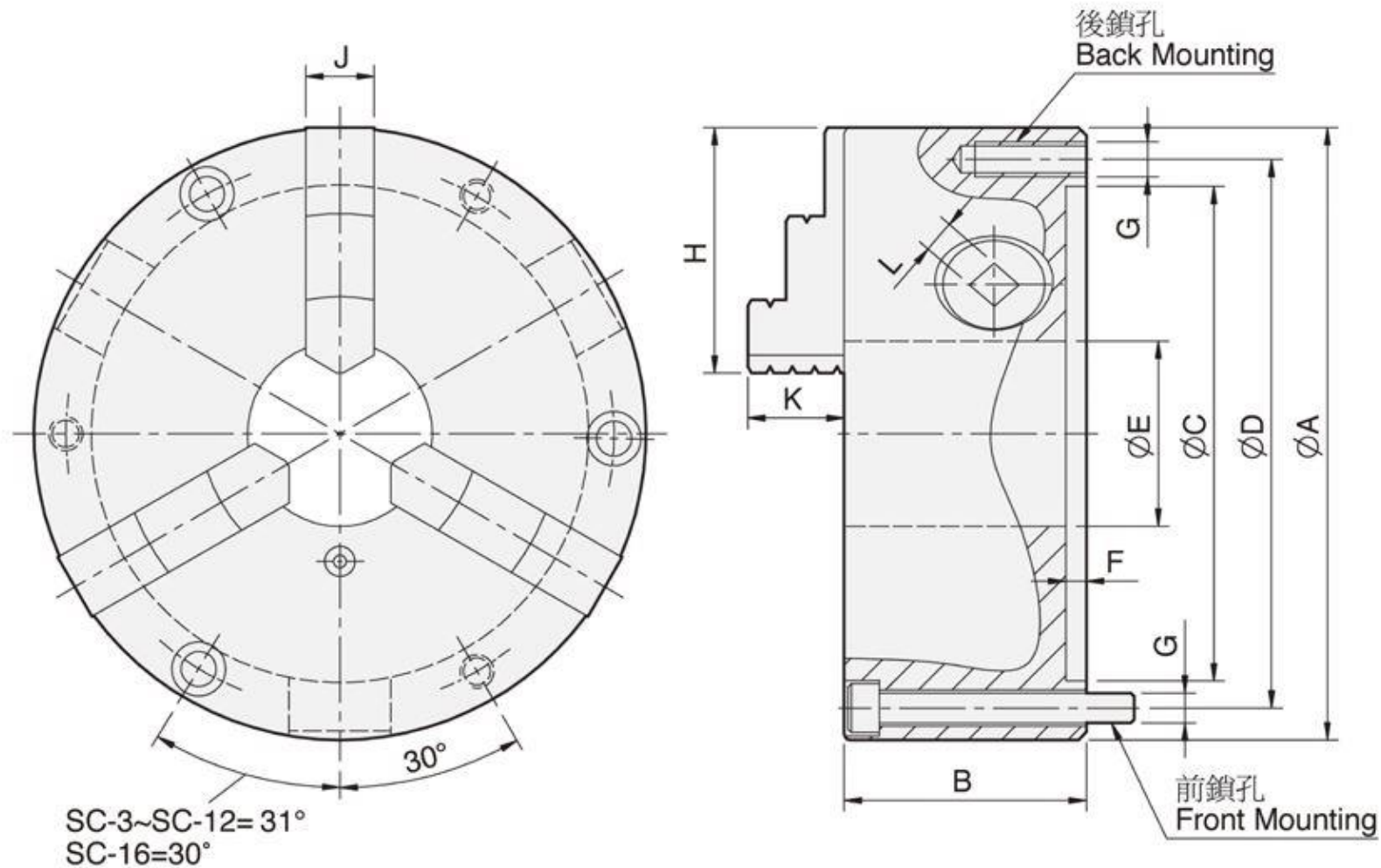


PG-150 Chuck



SPEC Model	A	B	C	D	E	F	G	H	J	K	L
								Back / Front			
SC-6	167	67	130	147	45	5.5	3-M10 / 3-M10x70	63	19	23.7	10

PG-300/500 Chuck



SPEC Model	A	B	C	D	E	F	G	H	J	K	L	
								Back / Front				
SK-6	167	67	130	147	45	5.5	3-M10 / 3-M10x70	72	26	40.2	10	

