

EPR-X1

Powered Air Purifying Respirator



ESAB's EPR-X1 PPR unit connects seamlessly with all current **ESAB prepared for air** welding helmets and provides advanced respiratory protection from harmful welding fume particulates.

This PPR is designed for applications ranging from occasional use to full-time industrial applications. The EPR-X1 offers a robust, compact housing with a powerful blower to ensure maximum life and performance. Check your battery status, fan settings and filter conditions at a glance with quick-access status LED lights. Additionally, the PPR provides audible and vibratory alerts to notify the user of low air flow (indicating a needed filter change) and low battery conditions.

The EPR-X1's turbo unit is controlled with easily-accessed push buttons allowing three airflow speed ranges of 170/190/220 l/minute. The HEPA-quality, EN12942 TH-3P certified two-stage filter and spark arrestor are easily accessed through a removable front door.

Industry

- Agricultural Equipment
- Automotive
- General Manufacturing
- Heavy Fabrication
- Industrial and General Fabrication

- Compatible with all ESAB prepared for air helmets: Sentinel A-50; Savage A-40; G-30/40/50; F-20
- User adjustable air flow 170/190/220 l/min
- Li-Ion battery pack (up to 10h duration @ 170 l/min)
- P3 filter and pre-filter
- International intelligent charger (interchangeable pins)
- Audio/visual/vibration blocked filter and low battery alarm

Visit **esab.com** for more information.



EPR-X1 PPR System



EPR-X1 with Savage A-40 Air Helmet

EPR-X1

Specifications

| | |
|------------------|--|
| Air Flow | Selectable 170; 190; 210 l/min (6 - 7.8 cfm) |
| Battery Time | Up to 10h @ 170 l/min (7.8 cfm) |
| Filter | P3 filter and pre-filter with replaceable spark arrestor |
| Certifications | CE EN12941 TH3 P |
| Dimensions LxHxW | 210 x 169 x 78 mm (8.3 x 6.7 x 3.1 in.) |
| Weight | 1 kg (2.2 lbs) |

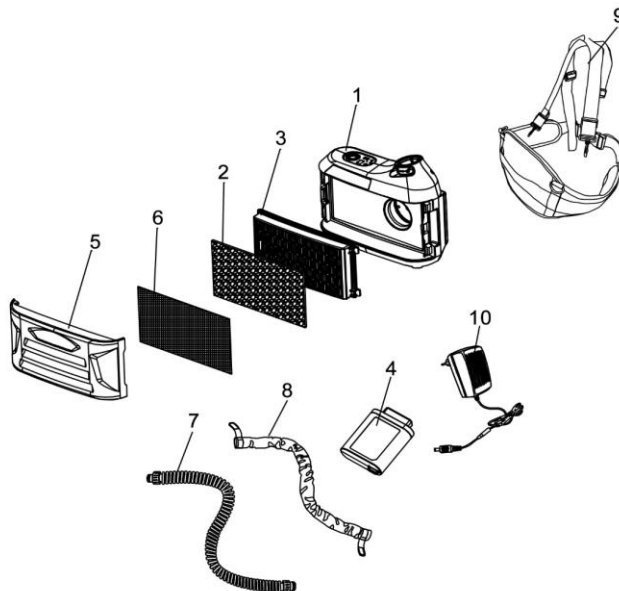
Ordering Information

| | |
|---|------------|
| EPR-X1 PAPR system with expandable hose | 0700500900 |
|---|------------|

For more information on helmets please see separate fact sheets or manuals.

Wear and Spare Parts

| | | |
|----|--|------------|
| 1 | EPR-X1 PAPR Blower Unit | 0700500901 |
| 2 | EPR-X1 PAPR Prefilter | 0700500902 |
| 3 | EPR-X1 PAPR P3 Filter | 0700500903 |
| 4 | EPR-X1 PAPR Battery | 0700500904 |
| 5 | EPR-X1 PAPR Filter Cover | 0700500905 |
| 6 | EPR-X1 PAPR Spark Arrestor | 0700500906 |
| 7 | ESAB Breathing Tube for EPR-X1pen PAPR | 0700500907 |
| 8 | Anti-fire Cloth of Breathing Tube for EPR-X1pen PAPR | 0700500908 |
| 9 | Waist Belt and Shoulder Harness | 0700500909 |
| 10 | Universal Battery Charger | 0700500910 |



ESAB / esab.com

