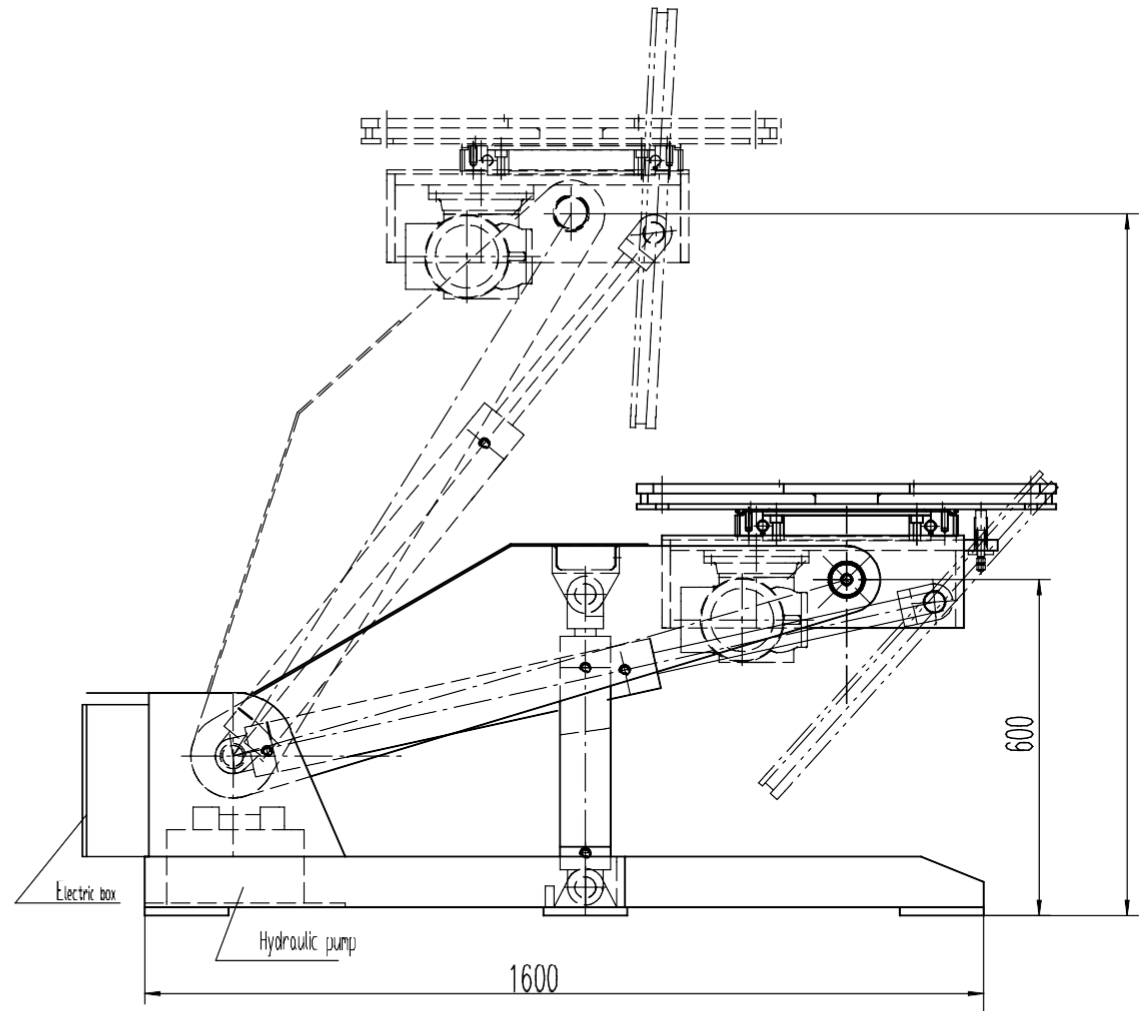
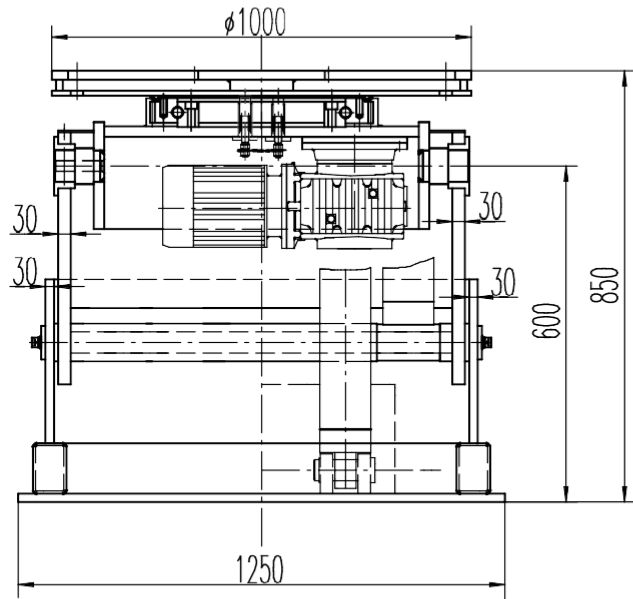




Westermans International Ltd
welding and cutting solutions that don't cost the earth

W: www.westermans.com E: welding@westermans.com

T: +44 (0)116 269 6941



Model	YHB-20		Tilt way	Hydraulic cylinder	Customer Approval	Westermans International		Welding Positioner	
Loading Capacity	2 tons maximum		Tilting cylinder	One cylinders					
Table diameter	1000 mm		Tilting angle	0~90°		Drawing by	P.H	YHB-20	
Lifting way	Hydraulic cylinder		Control way	Remote hand control		Check by	S.G	3 Axis Positioner	
Lifting cylinder	One cylinders		Foot switch	YES		Revision		001	
Lifting center stroke	600~1470 mm		Voltage	380V 50Hz 3Phase		Drawing No.		WS 2006YHB20	
Rotation way	Motorized 1.5 KW		Color	RAL3003 RED		Email		welding@westermans.com	