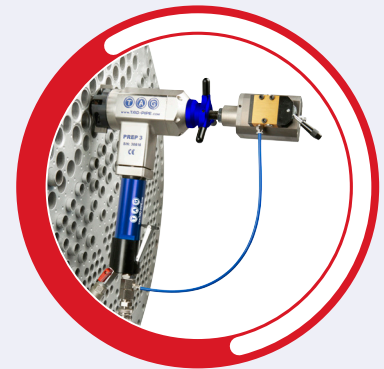


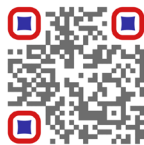


PIPE EQUIPMENT SPECIALISTS

PREP 3 PIPE BEVELLING 1" to 3"



SCAN QR CODE
TO WATCH VIDEO



RANGE: 28 - 76mm i/d / 1 - 3" i/d
(optional from 20mm i/d / 0.8" i/d)

- **Functions:** External beveling / internal beveling / elbow and fittings beveling / facing / counter-boring / weld removal / J-prepping and facing of tube plate
- **Materials:** Any kind of steel and exotic alloy
- **Power:** Pneumatic, electric or battery (110v or 220v)

The PREP 3 is a popular i/d locking, in-line feed end prep machines. The PREP 3's power to weight ratio, in electric, battery (110v or 220v), or pneumatic drive form is unrivalled.

A 4-jaw tool holder (chuck) allows use of up to 4 insert or formed tools to enable beveling of heavy wall pipe and tube. Simultaneous external, internal and facing of tubes can be performed with ease for accurate repetitive work. Its size, power, and functionality, makes it extremely popular in high volume boiler repair and maintenance work, tube facing, weld removal, and J-prepping of the tube plates and panels.



FEATURES AND ADVANTAGES

The PREP 3 is torque reactive. This means that the pipe or tube does not have to be fixed to be bevelled, making it particularly useful on-site, in maintenance and repair situations. This is due to the design and strength of the thru shaft system that locks to the bore of the pipe.

The jaw system itself consists of 3 equilateral positioned machined jaw segments, retained and locked on an inner, 'grooved' expansion shaft. These grooves keep the jaws held securely in position, unlike other systems that use a metal or rubber bands for jaw retention. As the expansion nut is tightened, the jaws expand, locking tightly, and square to the bore of the pipe.

The machine body is CNC machined out of solid aluminum and nickel plated. This ensures strength and leads to precise tolerances on all components, resulting in a stable heavy duty machine that does not move under load, we also ensure all components are treated utilising the latest technologies to ensure durability.



POWER OPTIONS:

PNEUMATIC



PART NO. TP3P

ELECTRIC



PART NO. TP3E110 / TP3E220

BATTERY



PART NO. TP3B110 / TP3B220

PNEUMATIC ALD



PART NO. TP3PALD

ACCESSORIES AND OPTIONS:


REDUCED SHAFT

20 - 30mm i/d
0.8 - 1.2" i/d



PART NO. TP3RSKV2

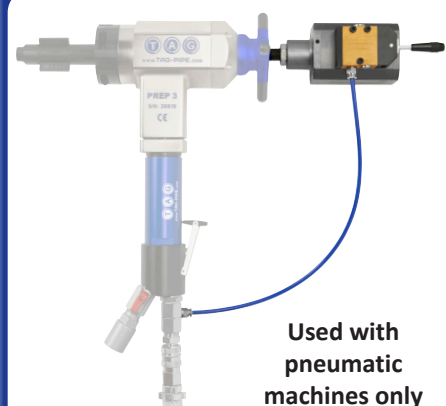
ELBOW / FITTINGS SHAFT



38 - 79mm i/d
1.5 - 3" i/d

PART NO. TP3ESKV2

AUTO LOCK



Used with
pneumatic
machines only

PART NO. TP3ALD

RATCHET HANDLES



PART NO. TP3RHKV2

FEED STOPPER



PART NO. TP3FSK

MILLING HEADS



PART NO. CTMH*BMR**

PREP 3 TECHNICAL FEATURES

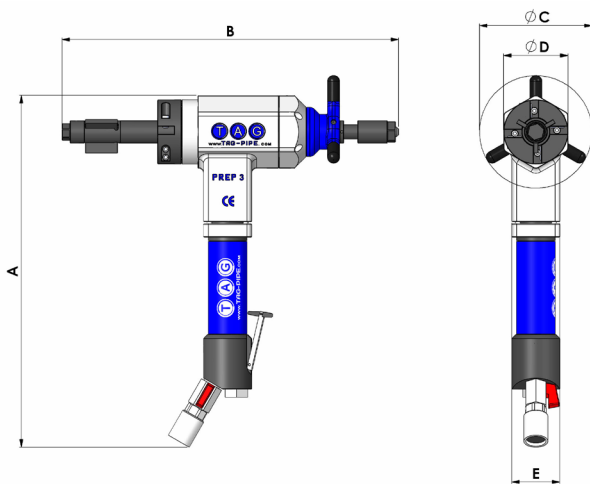
DESCRIPTION	MEASUREMENT	PNEUMATIC	ELECTRIC	BATTERY
Part Number	n/a	TP3P / TP3PALD	TP3E110 / TP3E220	TP3B110 / TP3B220
Locking tube range	mm (i/d)	28 - 76 optional from 20	28 - 76 optional from 20	28 - 76 optional from 20
Locking tube range	inch (i/d)	1 - 3" optional from 0.8"	1 - 3" optional from 0.8"	1 - 3" optional from 0.8"
Idle speed	rpm	5 - 120	5 - 82	23 / 37 / 50
Torque	N m	140	152	140
Length of axial feed	mm	40.5	40.5	40.5
Max operating temperature	°C	55	55	55
Max acoustic radiation	dB	75	75	75
Pneumatic motor power	hp	1.35	n/a	n/a
Air consumption	cfm / l/min.	36 / 1020	n/a	n/a
Air working pressure	psi / bar	90 / 6.5	n/a	n/a
Air hose connection	inches	½"	n/a	n/a
Electric motor power	watt	n/a	1300	800
Voltage	volt	n/a	110 or 220	charger 110 or 220
Frequency	Hz	n/a	50 / 60	charger 50 / 60
Unit weight	kg / lbs	8.9 / 19.5	9.9 / 22	10.4 / 23
Packing dimensions	mm	640 x 500 x 140	640 x 500 x 140	640 x 640 x 140
Packing weight	kg / lbs	23 / 51	24 / 53	25 / 55

Our group policy is one of continuous improvement. Products and data tables are subject to change and may vary from those illustrated.

- All units are supplied complete with all gripping segments to cover the full range of the machine. Service tools, drawings, instruction manual and warranty certificate are also supplied as standard.
- Each machine is supplied with a protective custom built metal box.
- Pneumatic machine must be used with filter lubricator and oil - use without will void warranty.



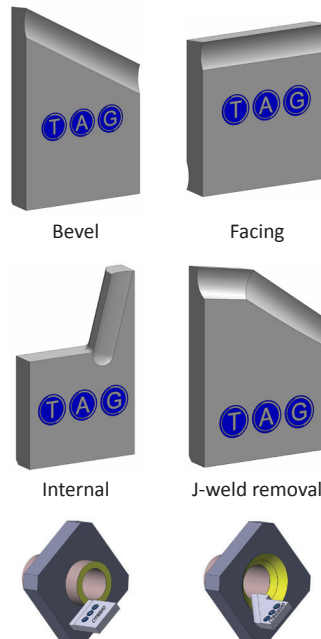
DIMENSIONS



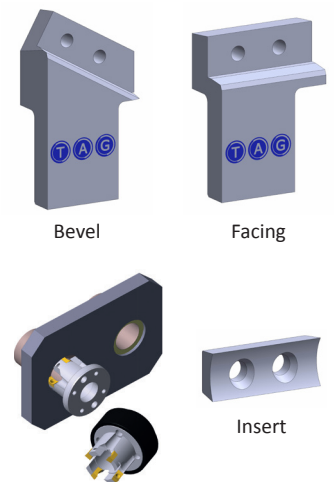
DIM	PNEUMATIC	ELECTRIC	BATTERY
A	435mm	500mm	530mm
B	402mm	402mm	402mm
ØC	140mm	140mm	140mm
ØD	80mm	80mm	80mm
E	60mm	90mm	90mm

EXAMPLES OF COMMON CUTTING TOOLS

FORMED TOOLS



HOLDER / INSERT



All shapes, sizes and angles available