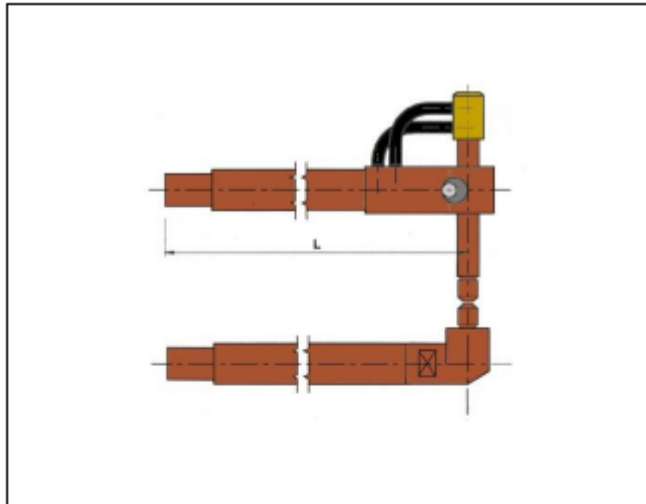


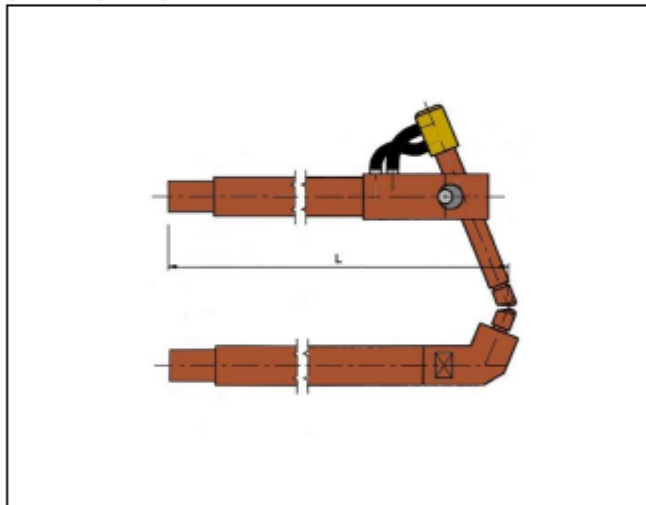
**SD = UPPER STRAIGHT ARM**

**ID = LOWER STRAIGHT ARM**

### STRAIGHT ARMS



### SLANTING ARMS



### LOWER STRAIGHT HEAD ARMS

