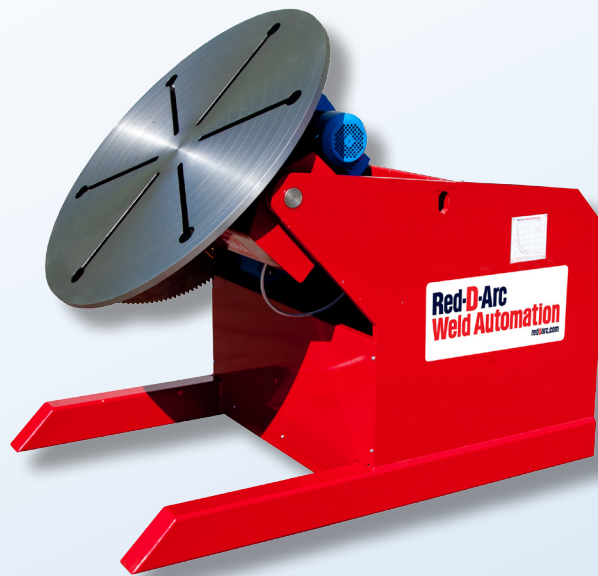


RDA FHVP5 CE Positioner

5 tonne capacity

Red-D-Arc's RDA FHVP5 CE positioners provide 360° rotation of a work piece along with 135° forward tilt to better position weldments for better down-hand or automatic welding. All-fabricated steel frames and bases support rotation and tilt spur-gears driven by worm-gear reducers to provide enhanced safety and durability. Powered table tilt and rotation are controlled via push-button pendants for controlling constant-speed up and down tilt, variable-speed table rotation, and forward/stop/reverse table direction/emergency-stop controls, as well as tilt limit-switches (for both directions). Rotation motors are inverter-controlled variable-frequency AC-type, providing a full range of variable-speed control with excellent speed-regulation. Red-D-Arc welding positioners are engineered to provide maximum safety and dependability; control boxes have IP65-rated enclosures with full UL and CE certification and all of our positioners have been tested and certified by UL to establish safe working loads - a first in the weld automation industry.



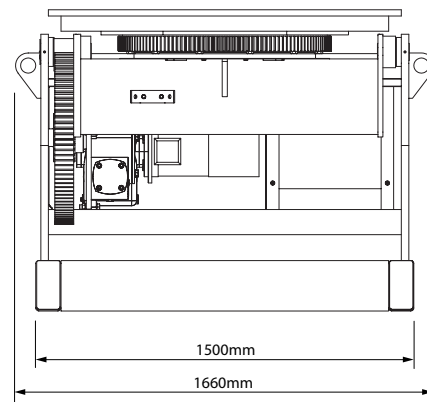
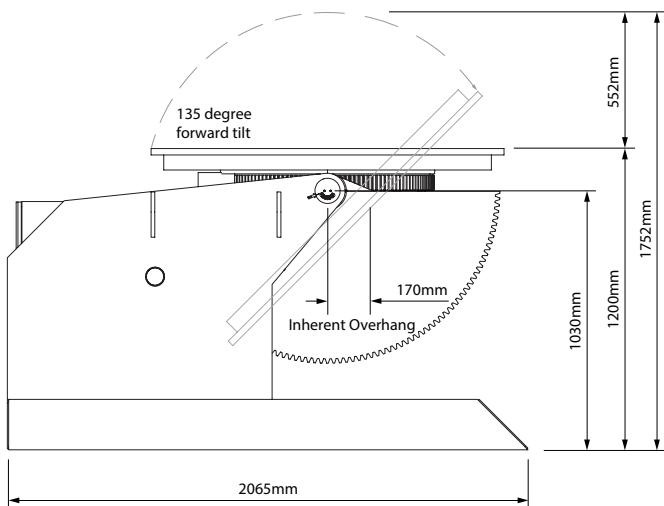
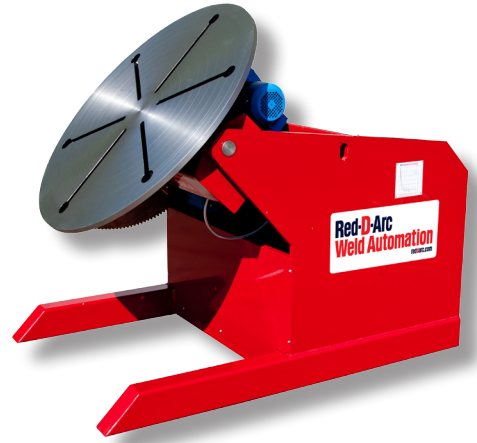
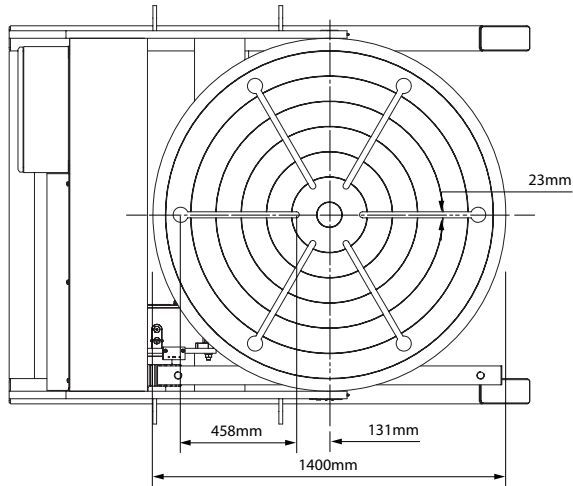
Specifications

| | |
|---------------------------------------|---|
| Model | RDA FHVP5 CE |
| Capacity | 5 tonne at 150 mm C of G and 150 mm eccentricity |
| Rotation Speed | 0.07 - 1 RPM |
| Rotation Motor | 1.5 kW inverter-controlled variable-frequency AC-type |
| Rotation Torque | 7355 Nm |
| Tilt | 135° forward tilt in 60 seconds |
| Tilt Motor | 2.2 kW with brake |
| Tilt Torque | 16,181 Nm |
| Table Height (Horizontal) | 1200 mm |
| Table Diameter | 1400 mm round with six 23 mm slots |
| Control | Push button pendant, 10 m cable |
| Control Functions | Tilt up/tilt down/forward/stop/reverse/speed control/emergency stop |
| Primary Input Power | 380 to 480 V, 3 phase, 50/60 Hz |
| Input Current at Rated Load | 9 A |
| Ground Capacity | 300 A |
| Weight | 2600 kg |
| Control Box Ingress Protection Rating | IP65 |
| Control Box Electrical Certification | UL508 |
| Loading Capacity Certification | UL2011 |

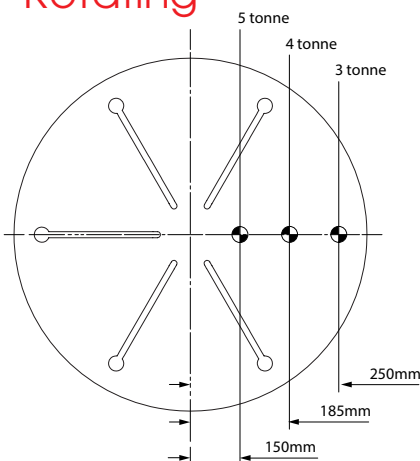
Red-D-Arc **Welderentals** rents and sells welding and weld-positioning equipment - around the world.

RDA FHVP5 CE Positioner

5 tonne capacity

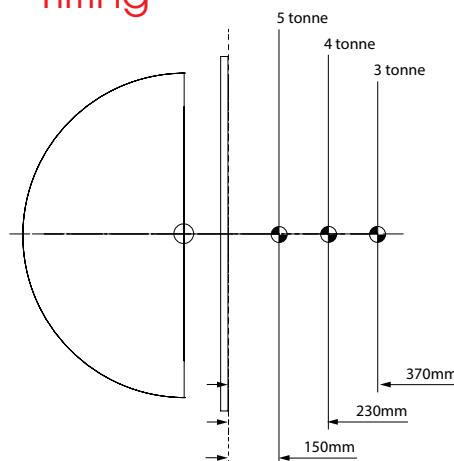


Rotating



| Load (tonne) | Eccentricity (mm) |
|--------------|-------------------|
| 5 | 150 |
| 4.5 | 165 |
| 4 | 185 |
| 3.5 | 215 |
| 3 | 250 |
| 2.5 | 300 |
| 2 | 375 |

Tilting



| Load (tonne) | C of G (mm) |
|--------------|-------------|
| 5 | 150 |
| 4.5 | 185 |
| 4 | 230 |
| 3.5 | 290 |
| 3 | 370 |
| 2.5 | 480 |
| 2 | 645 |

+44 (0) 1744 850085

0800 917 1149