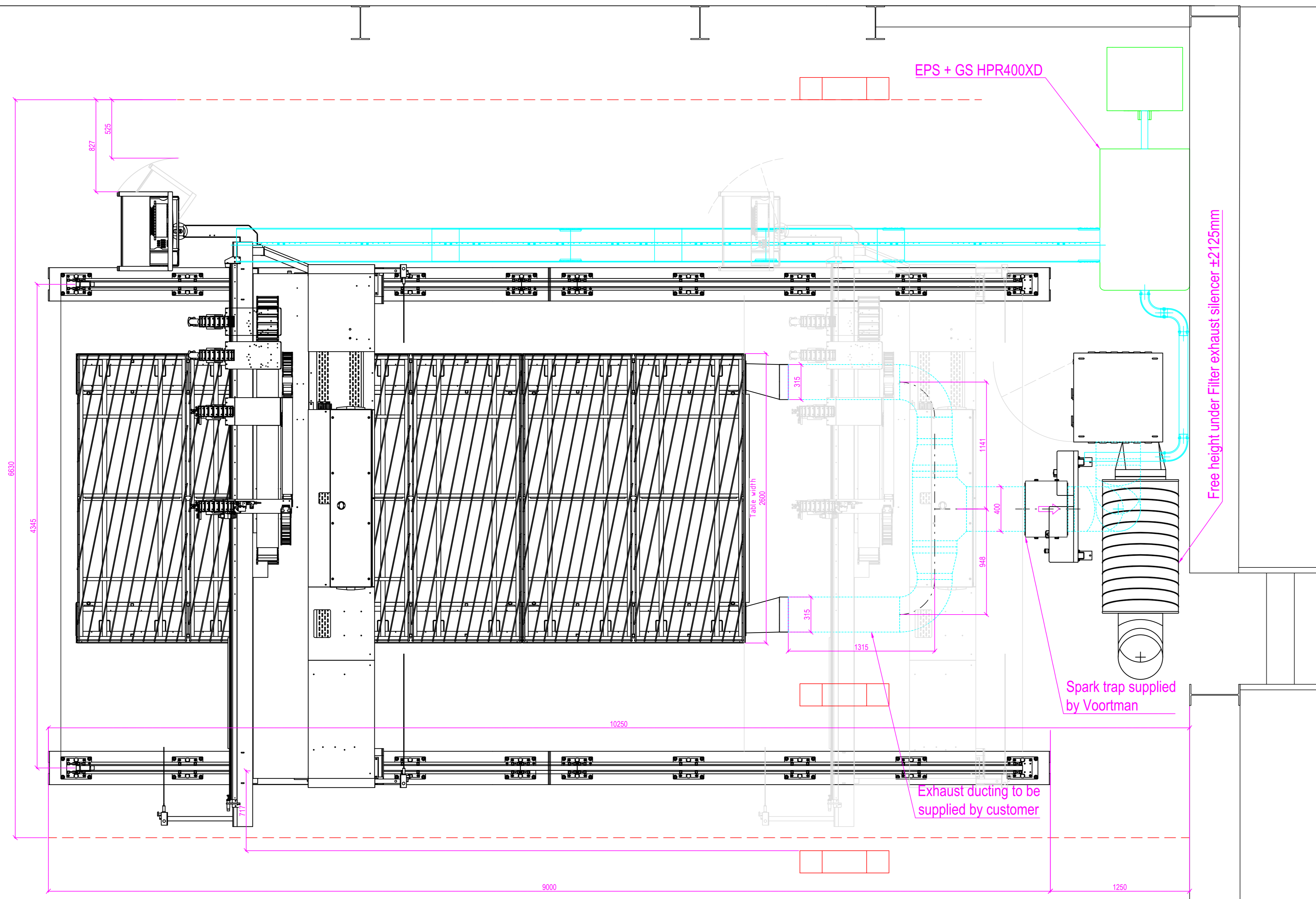
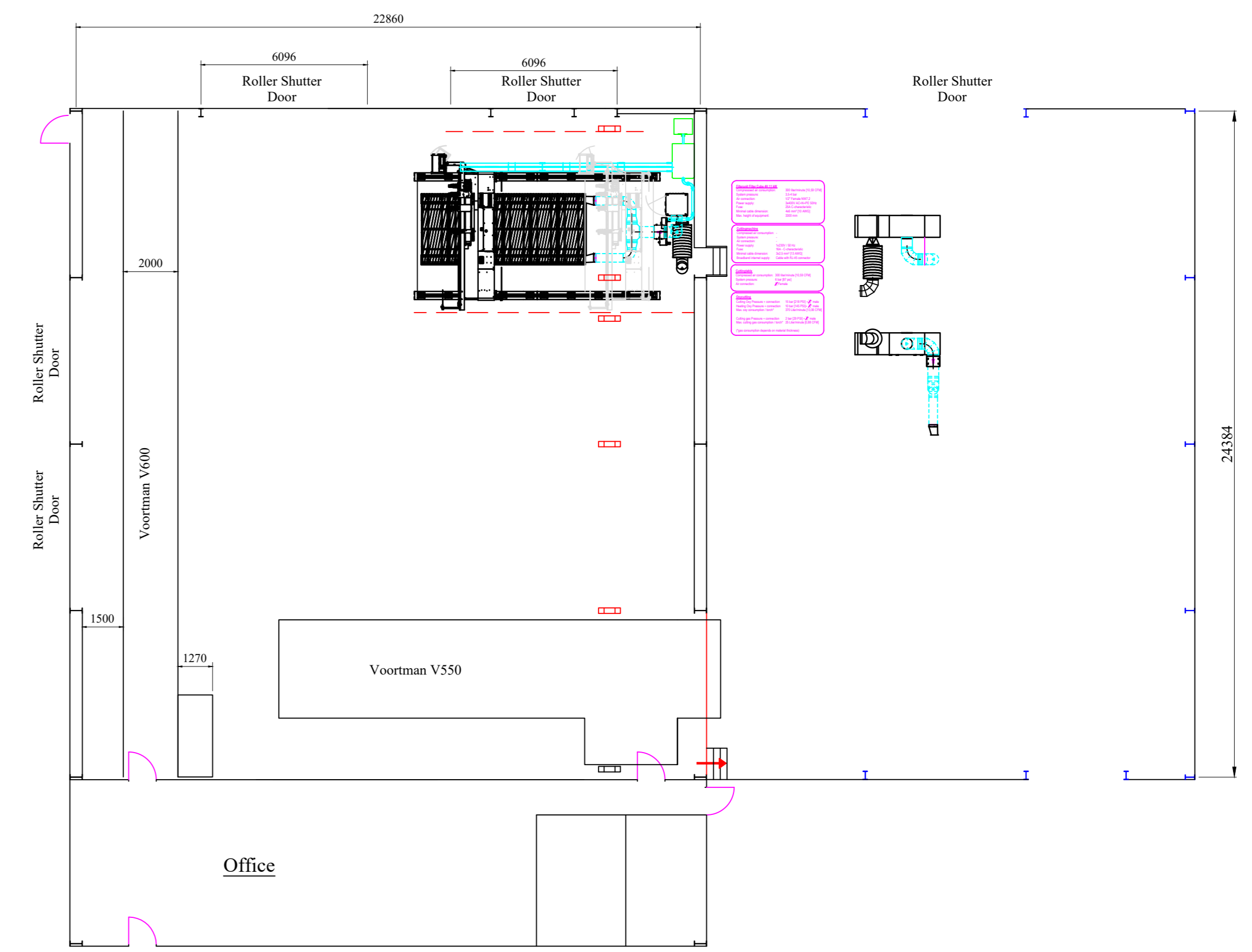


# 6096 Roller Shutter Door

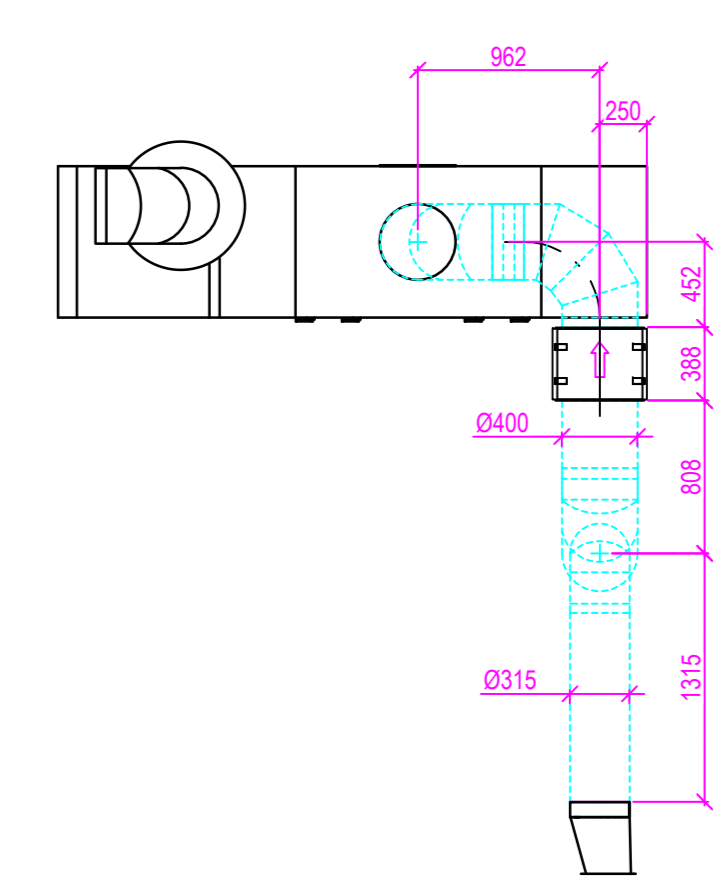
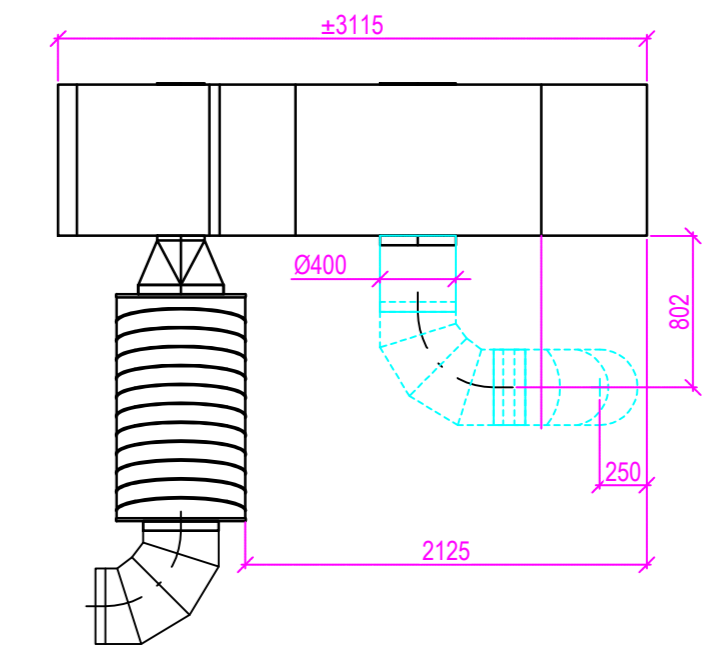


**Filterunit Filter Cube 4H 11 kW**  
 Compressed air consumption: 300 liter/minute [10.59 CFM]  
 System pressure: 3,5-4 bar  
 Air connection: 1/2" Female NW7,2  
 Power supply: 3x400V AC+N+PE 50Hz  
 Fuse: 25A C-characteristic  
 Minimal cable dimension: 4x6 mm<sup>2</sup> [10 AWG]  
 Max. height of equipment: 3300 mm

**Cuttingmachine**  
 Compressed air consumption: -  
 System pressure: -  
 Air connectoin: -  
 Power supply: 1x230V / 50 Hz  
 Fuse: 16A - C-characteristic  
 Minimal cable dimension: 3x2,5 mm<sup>2</sup> [13 AWG]  
 Broadband internet supply: Cable with RJ-45 connector

**Cuttingtable**  
 Compressed air consumption: 300 liter/minute [10.59 CFM]  
 System pressure: 6 bar [87 psi]  
 Air connection: 1/2" Female

**Oxycutting**  
 Cutting Oxy Pressure + connection 15 bar [218 PSI] + 1/2" male  
 Heating Oxy Pressure + connection 10 bar [145 PSI] + 1/2" male  
 Max. oxy consumption / torch\* 370 Liter/minute [13,06 CFM]  
 Cutting gas Pressure + connection 2 bar [29 PSI] + 1/2" male  
 Max. cutting gas consumption / torch\* 25 Liter/minute [0,88 CFM]  
 (\*gas consumption depends on material thickness)



Sign for approval  
 RE Buildings Ltd.  
 .....  
 ....-....-2014

Working height 780mm  
 Concrete floor quality C20/25 according NEN-EN 206-1:2001 EN  
 Max. load by footplates of machines is 200 kN/m<sup>2</sup> [ 28.5 PSI]  
 unless otherwise marked on drawing  
 Max. deviation in floorlevel is 50 mm [2"] for total machine area

**LEGEND**

EPS	Electric powersupply
CAS	Compressed air supply (reducers and drains to be supplied by customer)
BIS	Broadband internet supply
EDTU	Exhaust ducting to Filterunit (to be supplied by customer)
GS	Gate supply (reducers to be supplied by customer)

Lightguard to be supplied and installed by customer

Fence to be supplied and installed by customer  
 Height 2000mm

Lightguard to be supplied and installed by Voortman

Fence to be supplied and installed by Voortman  
 Height 2000mm

Customer:  
 RE Buildings Ltd.  
 Description:  
 Layout  
 Document nr:  
 0.00.00  
 Project nr:  
 10.043  
 Drawn by:  
 CM  
 Scale:  
 1:20  
 Version:  
 V2  
 Paper size:  
 A0  
 Date:  
 24.07.2014

**voortman**  
 STEEL GROUP  
 Ozostraat 1, Rijssen  
 PO Box 87, NL-7460 AB Rijssen  
 (t) +31-(0)548 - 53 63 73  
 (f) +31-(0)548 - 53 63 74  
 (e) info@voortman.net  
 (w) www.voortman.net

Copyright reserved 110.043-0.00.00\_V2 (layou).dwt