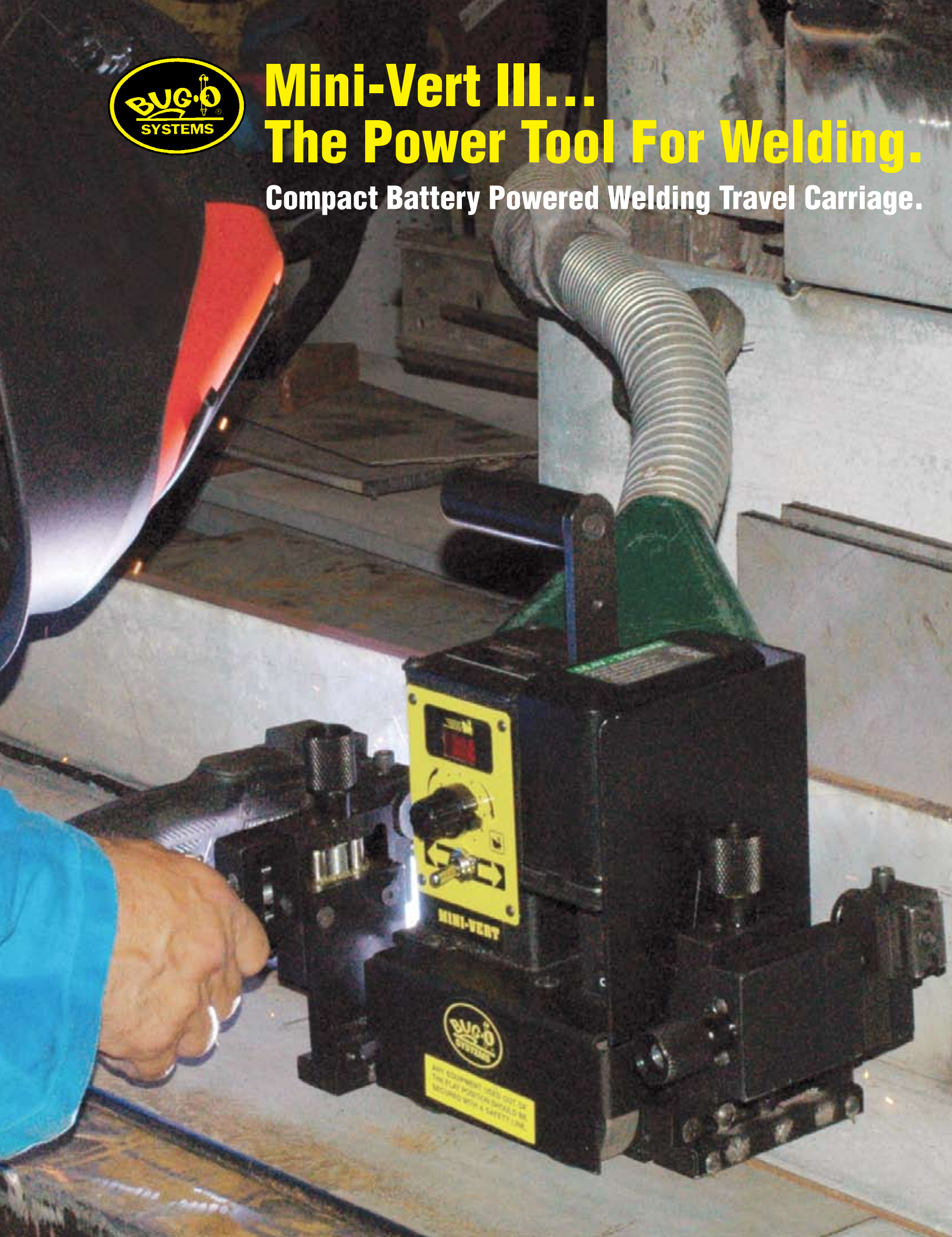




Mini-Vert III... The Power Tool For Welding.

Compact Battery Powered Welding Travel Carriage.





MINI-VERT III

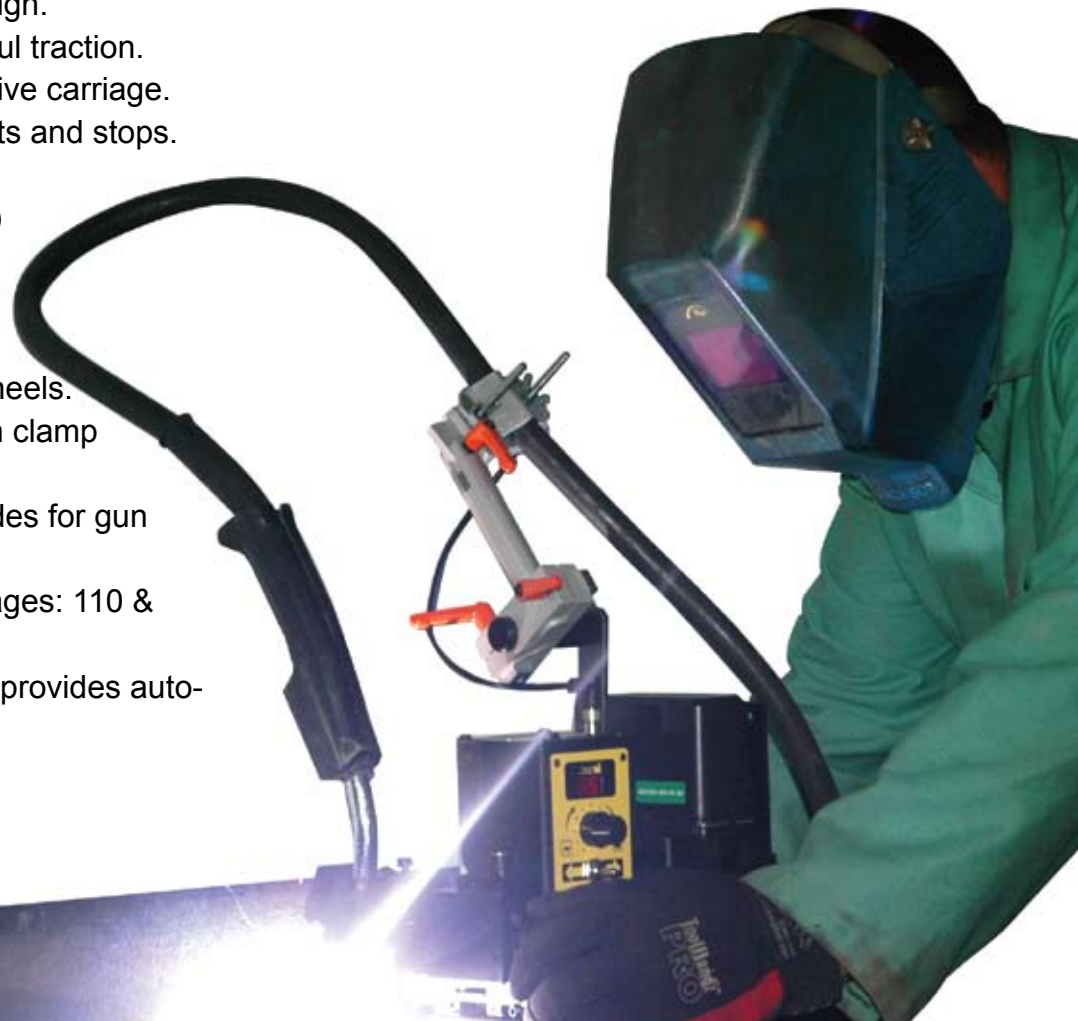


The Bug-O Systems **Mini-Vert III** is held on the workpiece with strong permanent magnets. It will travel and carry a welding gun in flat or vertical positions producing continuous uniform fillet welds. The **Mini-Vert III** features a quick torch mount which allows the welding gun to be rapidly moved from one side of the machine to the other, enabling the operator to weld the entire work piece from end to end. The Mini-Vert III is shipped with one (1) battery and one (1) battery charger.



FEATURES:

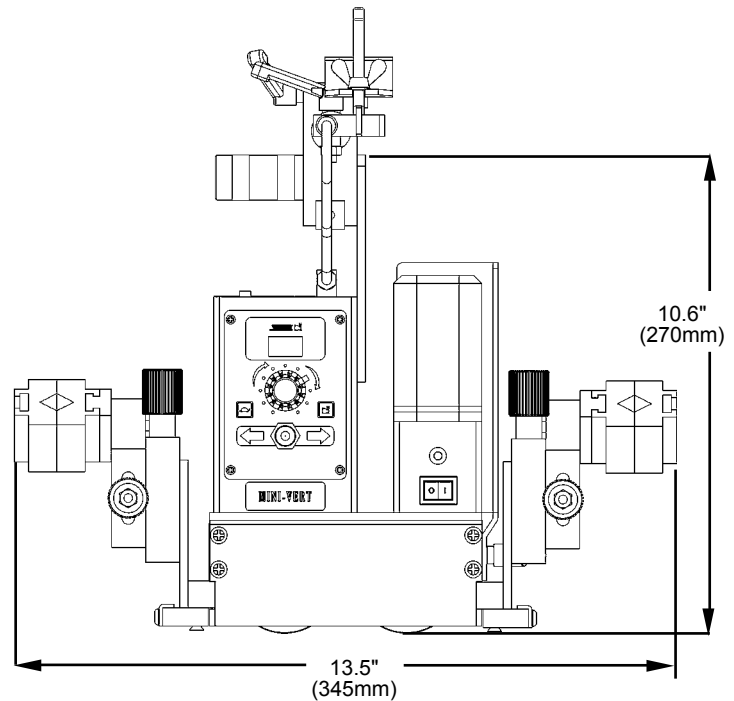
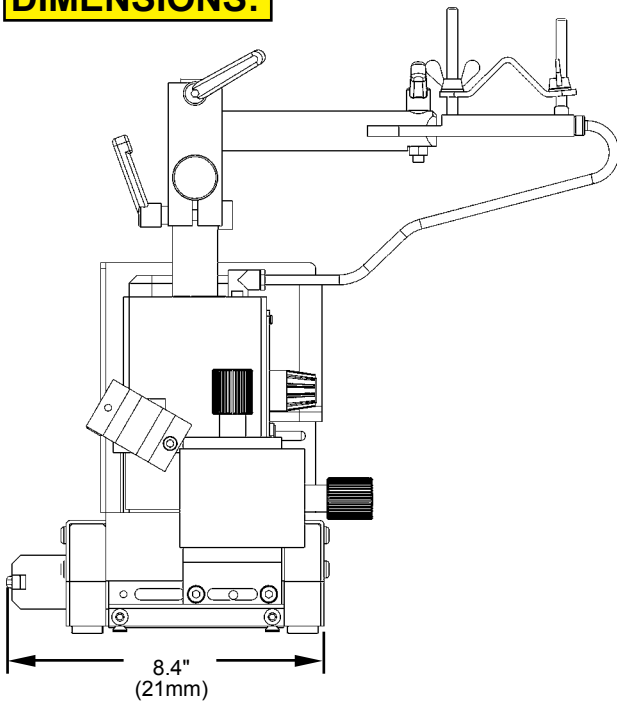
- Lightweight, easy to carry design.
- Permanent magnet for powerful traction.
- Equipped with a four-wheel drive carriage.
- Dynamic braking for crisp starts and stops.
- Closed loop speed control.
- 4 to 39 ipm (100-990 mm/min) welding speed range.
- 14.4-volt rechargeable battery with battery charger.
- Spatter guard on work side wheels.
- Versatile quick disconnect gun clamp will fit most MIG guns.
- Precision micro-adjustable slides for gun positioning.
- Available in two charging voltages: 110 & 220 VAC.
- Current sensing cable anchor provides auto-travel Start/Stop.





MINI-VERT III

DIMENSIONS:



BMV-3000 MINI-VERT III 110 VAC
BMV-3002 MINI-VERT III 220 VAC

TECHNICAL DATA:

- Power Supply:** 14.4V, 3Ah battery
- Drive:** 4 wheel drive
- Clearance:** 3/32" (2.4mm)
- Manual Torch**
- Adjustment:** Horizontal/Vertical 3/4"-3/4" (20-20mm)
- Carrying Capacity:**

Wall - Vertical	15 lbs. (7kg)
Wall - Horizontal	15 lbs. (7kg)
Downhand/flat position	50 lbs. (22.7kg)
- Travel:** Bi-directional
- Speed:** 3.9-39 ipm (100-990mm/min)
- Dimensions:** 13.5" x 8.4" x 10.6"
(345 x 210 x 270mm)
- Weight:** 16 lbs. (7.2kg) without battery





MINI-VERT III

Accessories:



BMV-1510 110 Volt
BMV-1512 220 Volt

An adaptor is available for the Mini-Vert III that screws into the battery pack adaptor so the machine can run directly from a 110, 220 VAC line power.

Mini-Vert III Controls:

