

Edge 46 J Reverse

Range w.t. 8-120 mm (5/16" – 4 3/4")

EDGE 46 Reverse designed for beveling the lower side of the plate. Heavy duty machine, powerful and strong, suggested for particularly demanding applications on plates with a high grade of hardness and wall thickness.

RANGE: 5/16" – 4 3/4" thickness

FUNCTIONS: bevel from 15° to 60°

MATERIALS: carbon steel, stainless steel, duplex, super duplex, inconel, aluminium, etc.

POWER: electric 3 phase 400V 50Hz

NOTE: Can bevel any material with smooth surface finishing, groove free.

The feeding system with adjustable speed allows the unit to be used without the help of cranes or lifting devices.



feeding system



dual amortization system



plate detecting sensor



chips conveyance system



Control panel

New on board control panel to operate the machine main functions.

The machine is equipped with a stepless variable head type which allows bevel angles from 15° to 60°, granting a very easy and quick adjustment of the angle of bevel.

The machine is equipped with a plate detecting sensor and trolley with a new chips conveyance system. We have also implemented a dual amortization system which allows to overcome eventual imperfections of the wall thickness or eventual variations of the plate, as well as the imperfections of the ground.



Edge 46 J Reverse

TECHNICAL FEATURES

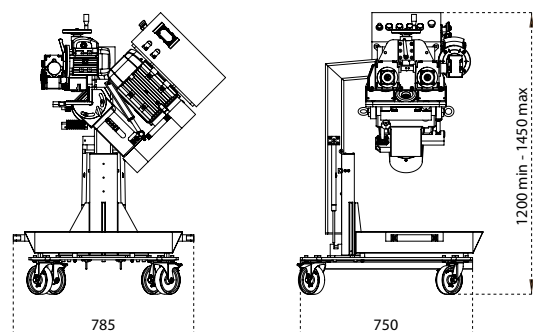
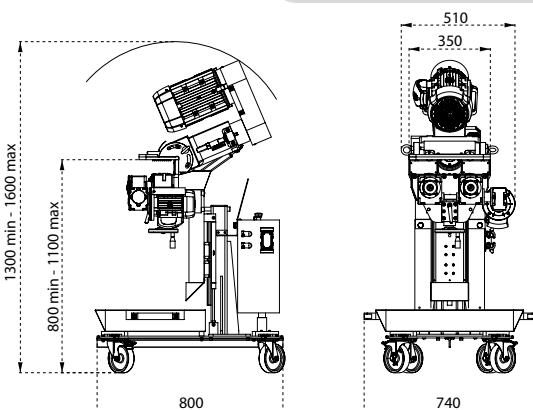
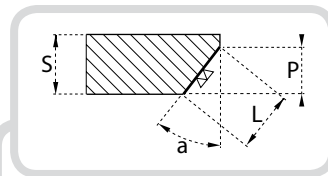
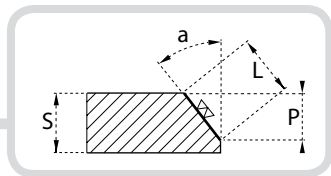
EDGE 46J_{reverse}

std. voltage	volt/hz/phase	400 / 50 / 3
adjustable beveling speed	m/min	0 - 2,0
	surface feet/min	0 - 6,6
electric motor power	kw	4,4
plate thickness	mm	8 - 120
	inch	5/16" - 4 3/4"
bevel angle	gradi	15° - 60°
	deg	
face mill speed	gg/min	800
	rpm	
9 inserts face mill(Ø)	mm	80
	inches	
machine gross weight	kg	265
	lb	

*Different voltage available on request

BEVEL ANGLE "a"	MAX PLATE W.T. "S"	MAX BEVEL PERFORMANCE*	
		"L"max	"P"max
15°	120 mm	46 mm	44,5 mm
22,5°	120 mm	46 mm	42,5 mm
30°	120 mm	46 mm	39,8 mm
37°30'	120 mm	46 mm	36,5 mm
45°	120 mm	46 mm	32,5 mm
55°	120 mm	46 mm	26,4 mm
60°	120 mm	46 mm	23,1 mm

*In multiple steps



EDGE 46

EDGE 46 J_{reverse}