

WELDING AND CUTTING CARRIAGE - KAT® FOR RIGID & SEMI RIGID TRACK

The Gullco KAT® is used throughout the world to automate a wide variety of welding and cutting operations. The KAT® is small and light yet robust with many features which include:

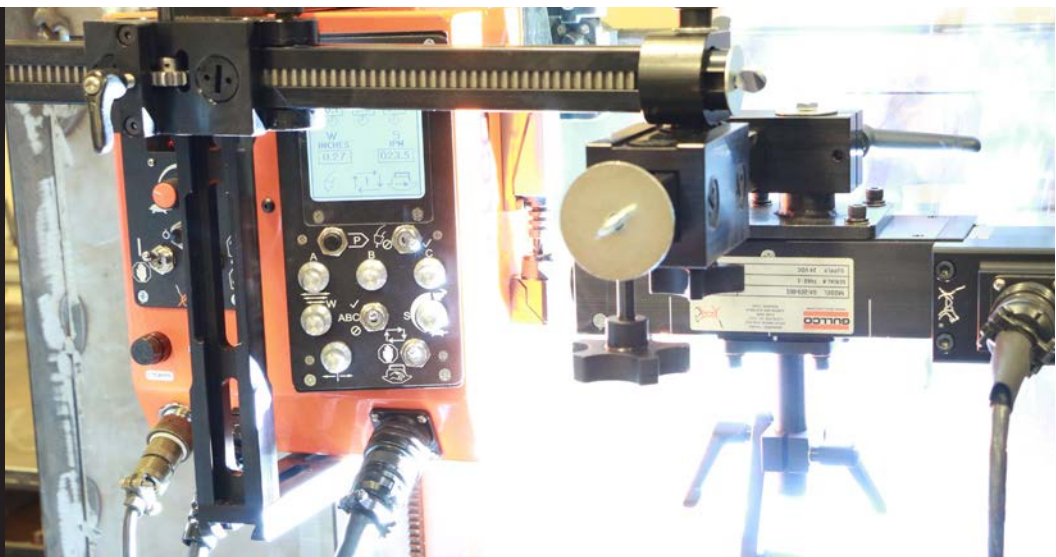


- Tool-less Setup, Adjustment & Operation
- Self-aligning Wheels (Easy Installation)
- Dynamic Dovetail Racking for versatile torch positioning
- Quick clutch mechanism
- OSHA Safety Orange
- Ingress Protection (Sealed Unit) including Conformal Coated Circuit Boards
- Energy Efficient
- Universal Compatibility to all welding power sources and wire feeders
- Torch holder memory for fast torch removal and accurate repositioning after cleaning
- Compatible with all existing rigid track and the new semi rigid track sections

***THE MOST DURABLE, DYNAMIC, AND VERSATILE
CARRIAGE IN THE INDUSTRY***

GULLCO

GULLCO.COM





AUTOMATED WELDING SYSTEM KAT® LT CARRIAGE

SPECIFICATIONS:

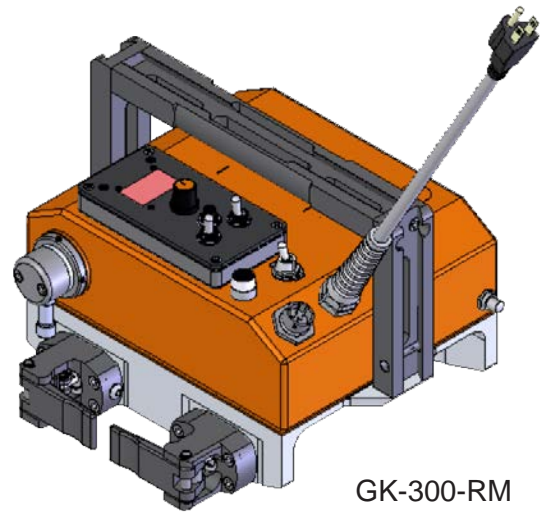
Weight: 17 lb (7.7 kg)

Speed Range: 2.5 - 83.1 cm/min (1 - 32.7 IPM)

Racking Weight: 9 lb (4 kg)

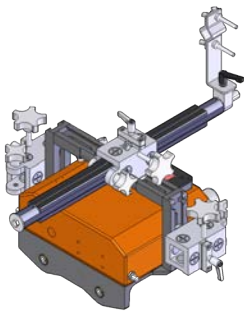
Power Requirements: 42 VAC, 115 VAC, 230 VAC
Models available.

Vertical Capacity: 56 lb (25.4 kg)



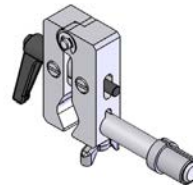
GK-300-RM

FEATURE RICH ENGINEERED DESIGN



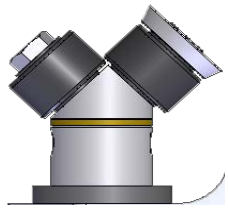
DYNAMIC RACKING

Using a machined dovetail racking system and locking rack box, torch positioning is versatile and adjustable. The rack box can be positioned anywhere along the racking and torch removal and adjustment is simple.



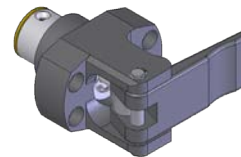
TORCH HOLDER MEMORY

The torch holder has been designed for quick and easy removal of the torch so that cleaning and accurate repositioning of the welding torch in the optimal position is simple and consistent.



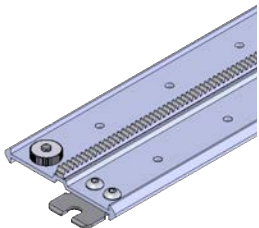
SELF-ALIGNING WHEELS

Self-aligning wheels means the carriage is mounted to the track correctly and easily every time. This ensures smooth carriage motion and maximizes the life of the track.



PADDLE LOCKS

Quick installation paddle locks provide smooth transition of the self-aligning wheels onto the track.



SEMI RIGID TRACK

Semi rigid track is made from precision extruded aluminum and a securely affixed steel rack. The interchangeable end design enables fast accurate joining of the track sections and provides smooth movement of the carriage along the track in both flat and curved surfaces. Flexibility between >12' (>3.65m) ID/ OD.

MACHINED UNDERCARRIAGE

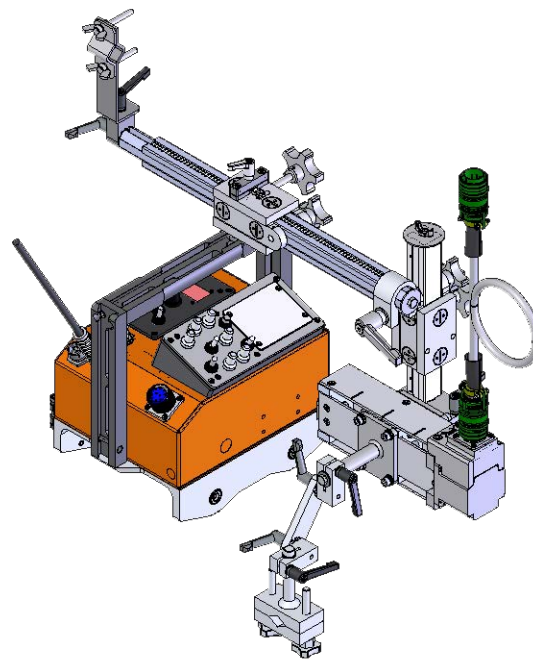


Lightweight design engineered for optimal setup times utilizing the self-aligning wheels and paddle lock technology.

GK-L-300 KAT® Rugged Light Weight Carriage Linear Welding Oscillation Combination

Carriage Speed 1 - 32.7 IPM (2.5 - 83.1 cm/min)
Heavy duty quick action self-aligning wheels
combined with two track mounting paddled locks.
Accurate Carriage speed control by conformal coated
ingress protected 24 volt Gullco microprocessor.

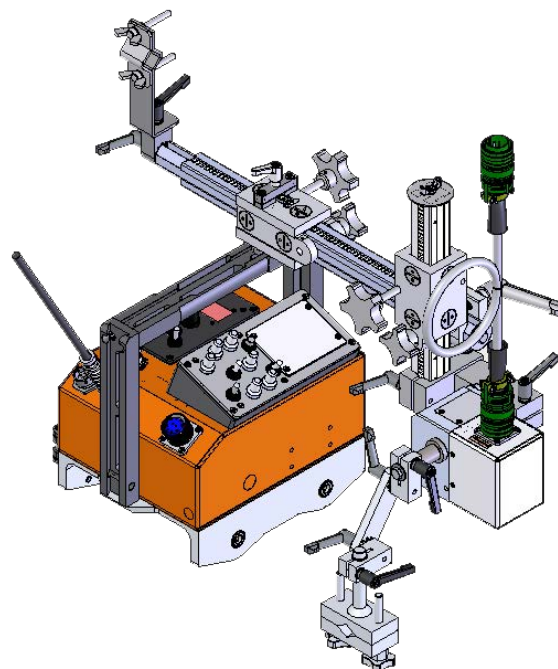
Maximum load capacity 56 lb (25.4 kg) regardless
of weld position. With forward/stop/reverse switch,
high speed return, infinitely variable multi-turn speed
potentiometer and LED display. Oscillator control
provides Auto Arc Start , independent dwell at each
end and center of the 1.5" stroke, infinitely variable 0
to 5 seconds; oscillation speed potentiometer, speed
range 8 to 188 cycles per minute (16 to 376 passes
per minute). Weld oscillator head mounted on
infinitely variable dovetailed tool-less racking system.



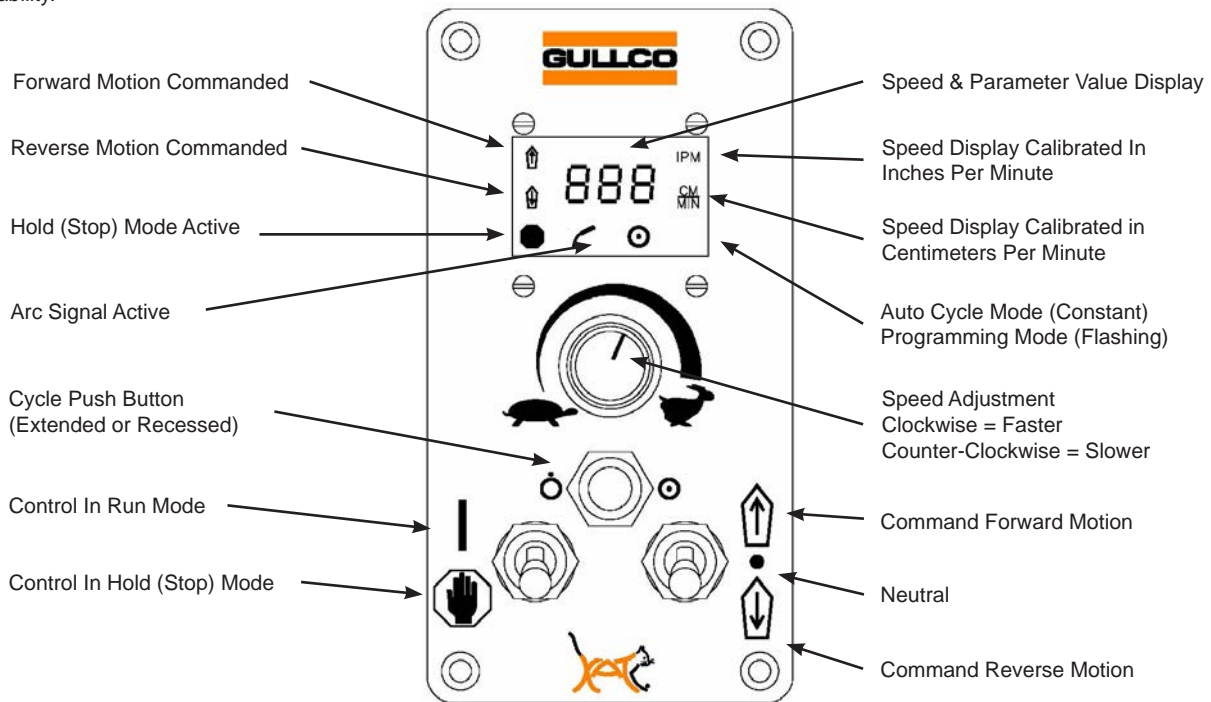
GK-R-300 KAT® Rugged Light Weight Carriage Radial Welding Oscillation Combination

Carriage Speed 1 - 32.7 IPM (2.5 - 83.1 cm/min)
Heavy duty quick action self-aligning wheels
combined with two track mounting paddled locks.
Accurate Carriage speed control by conformal coated
ingress protected 24 volt Gullco microprocessor.

Maximum load capacity 56 lb (25.4 kg) regardless
of weld position. With forward/stop/reverse switch,
high speed return, infinitely variable multi-turn speed
potentiometer and LED display. Oscillator control
provides Auto Arc Start , independent dwell at each
end and center of the 0.8 - 45° oscillation width
stroke, infinitely variable 0 to 5 seconds; oscillation
speed potentiometer, speed range 1° - 45° per
second. Weld oscillator head mounted on infinitely
variable dovetailed tool-less racking system.



The Gullco Standard Platform (GSP) range of controls have switching for forward / neutral / reverse, run / stop, Manual / Auto & program variable increment/decrement (where applicable) and a rotary encoder for speed control. This micro-processor based, 24 volt DC motor control can be supplied to provide a variety of "optional" functions such as indexing, weld oscillation and auto-weld. The selected "option" function and carriage travel speed/ direction are directed by a single GSP control. This ensures high levels of accuracy, quality and reliability.



PART NUMBER CONFIGURATION

Select a option and voltage to configure a KAT® specifically suited to your needs

GK- **-300-**

MODEL OPTIONS	
MODEL	DESCRIPTION
W	Welding Package
AW	Auto-weld
L	Linear Oscillator
R	Radial Oscillator
PC	Plasma Cutting
FC	Flame Cutting

VOLTAGES	
MODEL	INPUT SUPPLY
A	42 VAC
B	115 VAC
C	230 VAC

GULLCO, KAT, KBM, MOGGY, KATBAK & SAM are registered trademarks of Gullco Enterprises Limited

SPECIFICATIONS ARE SUBJECT TO CHANGE WITHOUT NOTICE. ALL DIMENSIONS ARE NOMRAL

Distributed by:

GULLCO
CANADA - GULLCO INTERNATIONAL LIMITED Phone: 905-953-4140 Fax: 905-953-4138 e-mail: sales@gullco.com
U.S.A - GULLCO INTERNATIONAL INC. Phone: 440-439-8333 Fax: 440-439-3634 e-mail: ussales@gullco.com
EUROPE - GULLCO INTERNATIONAL (U.K.) LIMITED Phone: +44 1257-253579 Fax: +44 1257-254629 e-mail: uksales@gullco.com
AUSTRALIA - GULLCO INTERNATIONAL PTY LIMITED Phone: 61 (0)7 3348 5515 Fax: 61 (0)7 3348 5510 e-mail: ausales@gullco.com
INDIA - GULLCO INTERNATIONAL INDIA PVT LIMITED Phone: +91-20-2551-1433 Fax: +91-20-2551-1433 e-mail: indsales@gullco.com
CHINA - GULLCO INTERNATIONAL SHANGHAI LIMITED Phone: +8621-50460341 Fax: +8621-50463554 e-mail: c.zhang@gullco.com
SINGAPORE - GULLCO INTERNATIONAL LIMITED Phone: +65-9385-4468 e-mail: benny.lim@gullco.com
LATIN AMERICA - GULLCO INTERNATIONAL LIMITED Phone: 55-11-99485-1336 e-mail: rogerio.macedo@gullco.com
GERMAN - Stuch Schweißtechnik GmbH & Co. KG Phone: +49(0)203-729495 Fax: +49(0)203-729496 e-mail: info@stuch-schweisstechnik.de

GULLCO.COM

KAT300-17-01