

10

9

8

7

6

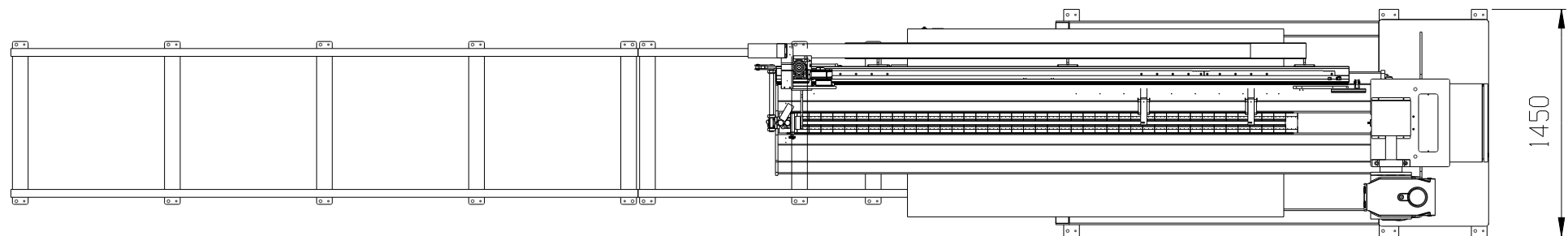
4

3

2

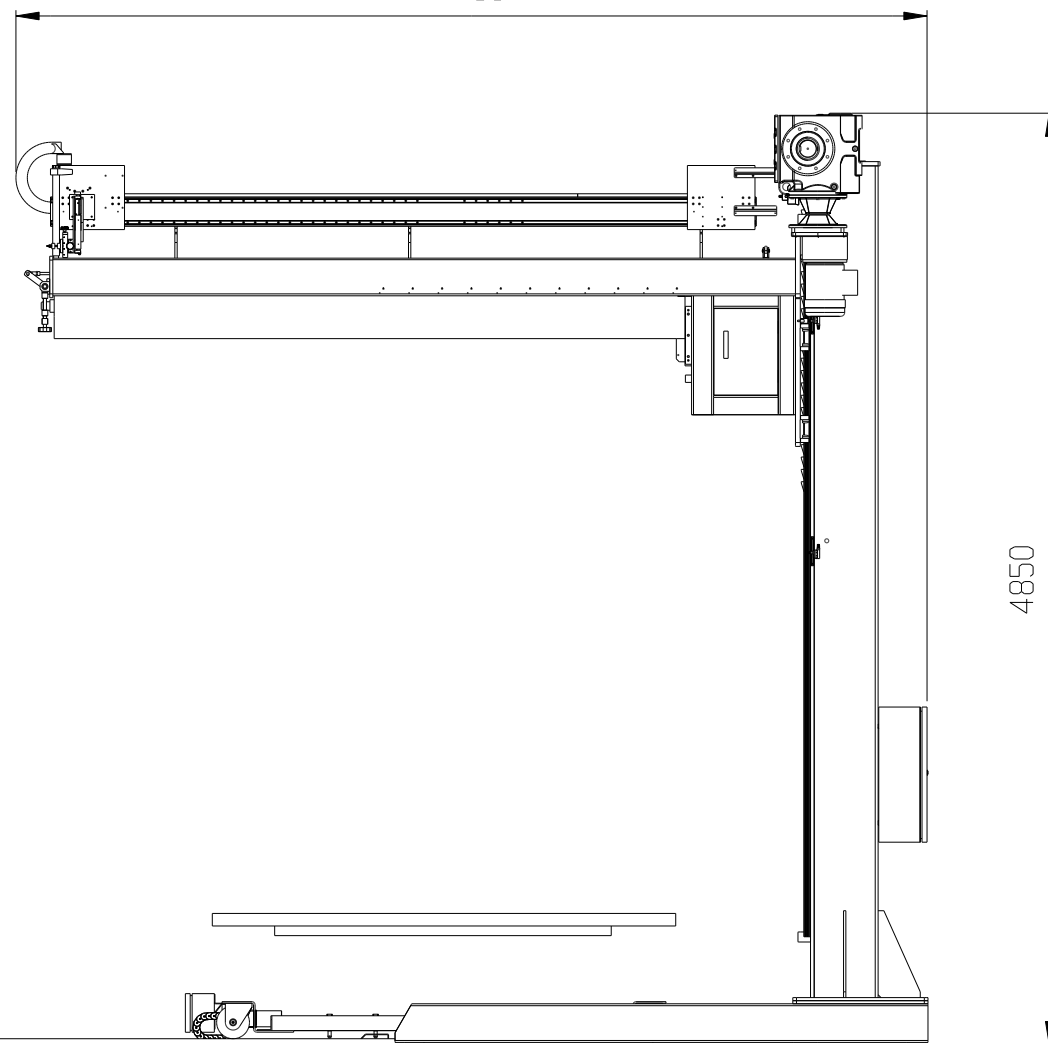
1

A



1450

4750



4850

9500



LS-30 with lifting

10

9

8

7

6

4

3

2

1

C

D