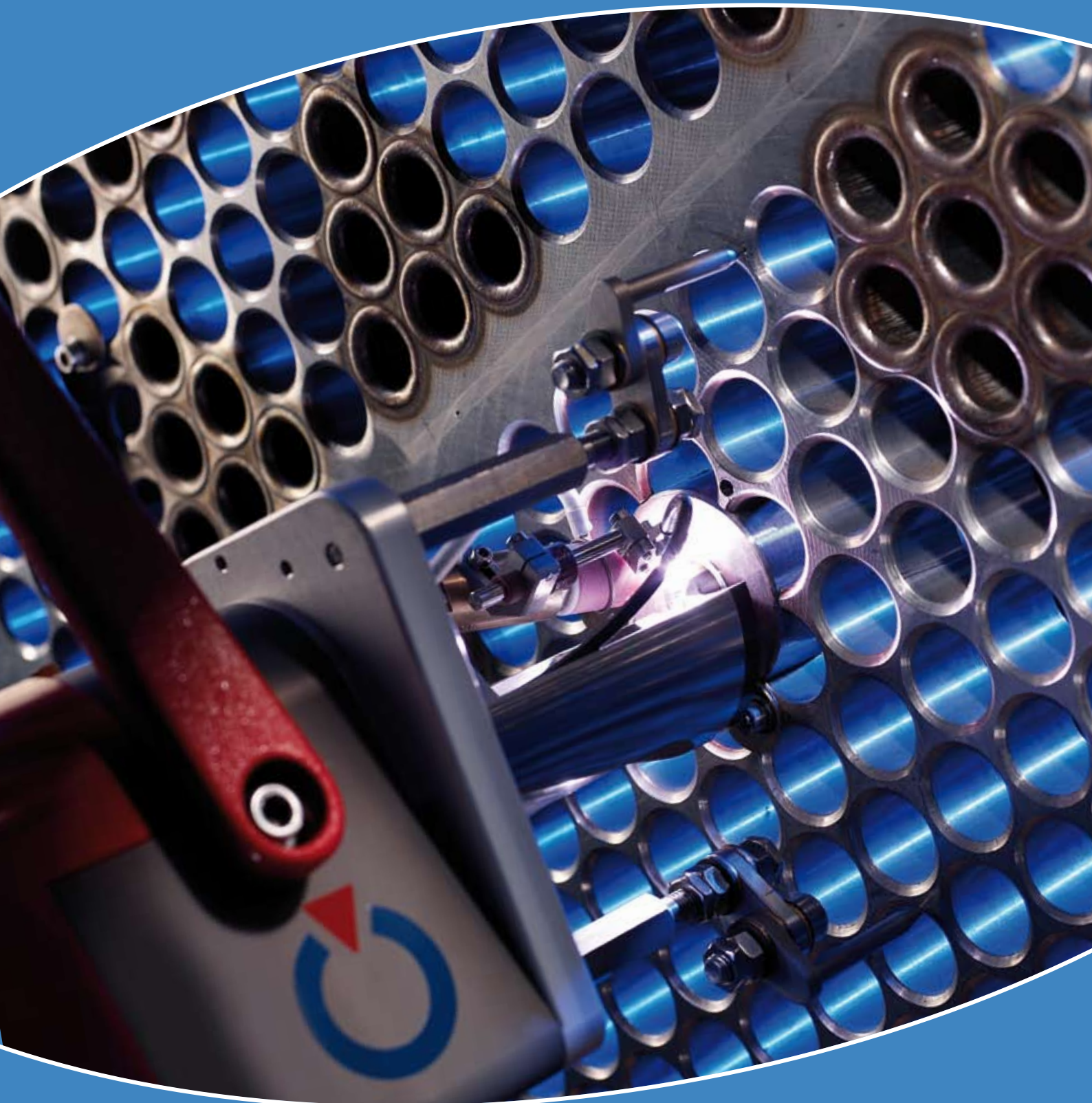


TS 2000

TIG - With or without Filler Wire, AVC

Open Welding Head

for welding of tube to tubesheet joints



TS 2000

Open Welding Head

for welding of
tube to tubesheet joints

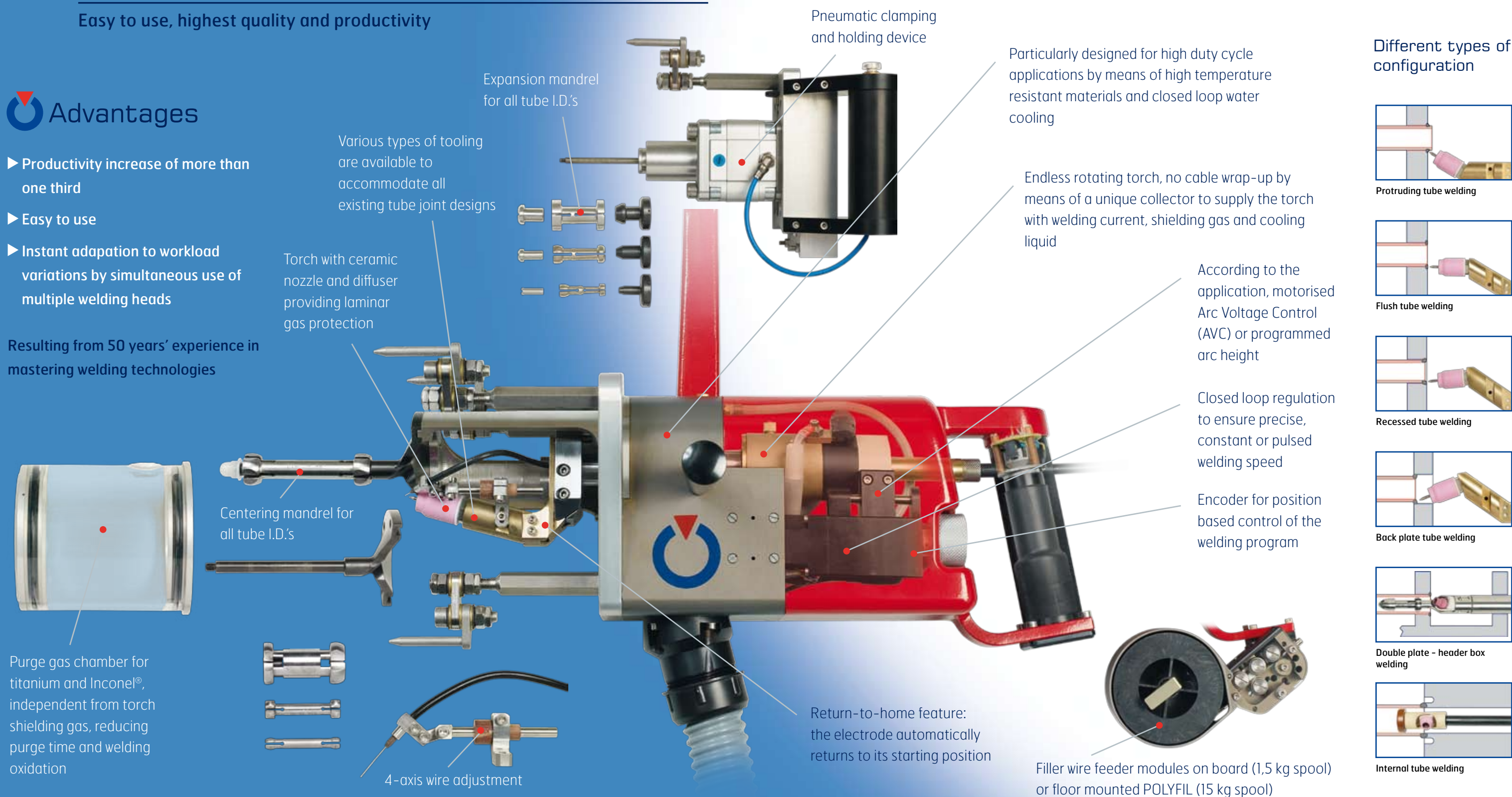
Easy to use, highest quality and productivity

Advantages

- ▶ Productivity increase of more than one third
- ▶ Easy to use
- ▶ Instant adaptation to workload variations by simultaneous use of multiple welding heads

Resulting from 50 years' experience in mastering welding technologies

General Characteristics



Associated Power Sources



▶ PS 406-2

400 A, "all inclusive", with Arc Voltage Control (AVC) and Torch Oscillation Control (OSC), three-phase power supply



▶ P6

300 A, "all applications", programming by PC or touch screen, with Arc Voltage Control (AVC) and Torch Oscillation Control (OSC), three-phase power supply



▶ PC Serie

300 to 600 A, modular design for perfect adaptation to your application. Interface for mechanised and robotic peripherals, three-phase power supply

Wire Feeders



▶ Polyfil-3

External wire feeder for 15 kg spools

 Adapting to all your applications!



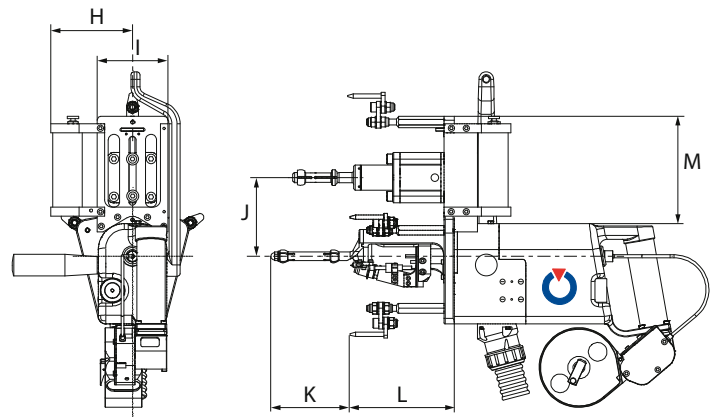
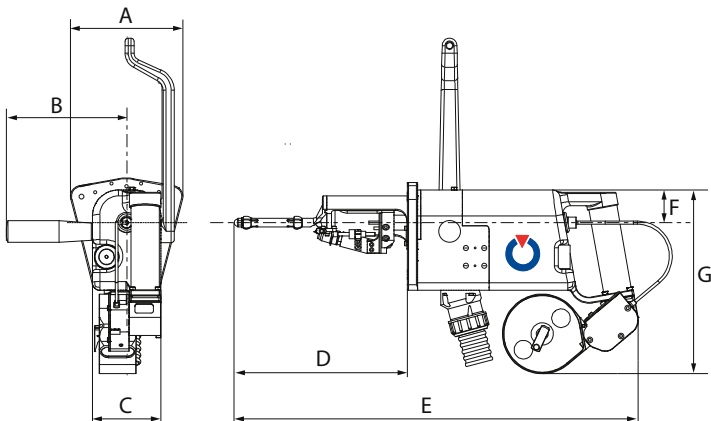
*“The only way to accomplish
double plate - header box welds.”*

Technical Specification

Min. tube I.D.	10 mm
Max. tube O.D.	60 mm
Duty cycle	200 A / 60%
Torch cooling	Closed loop, water
Arc Voltage Control (AVC)	✓
Wire feeder (on-board or floor mounted)	✓
Wire spool diametre	
• on-board	1,5 kg / 4"
• floor mounted	15 kg / 300 mm
Tube joint designs:	
• flush	✓
• recessed	max. 2 mm
• protruding	max. 13 mm
• internal bore welding	✓
• back plate - header box welding	✓
Positioning / centring	Flexible centring mandrel
Weight	11 kg (with on-board wire feeder, excl. cable)

✓ standard
 ✓ option

Cable length: 9 m



Dimensions in mm						
A	B	C	D	E	F	G
152	162	92	233	540	44	250
H	I	Jmin	Jmax	K	L	M
110	95	98,5	131,5	107	140	144

Options and Accessories

- Flexible centring mandrels for all tube I.D.'s
- Filler wire feeder modules on board (1,5 kg spool) or floor mounted POLYFIL (15 kg spool)
- Pneumatic clamping device to increase handling comfort and therefore quality and productivity
- Various standard torch angles and special toolings are available for all existing tube joint designs and types of heat exchangers
- Purge gas chamber for titanium and Inconel®, independent from torch shielding gas, reducing purge time and welding oxidation
- Extension cable (15 m)
- Dual welding head switch box (without AVC)
- Compact shipping case for transport and storage
- Tungsten electrodes pre-sharpened and pre-cut

POLYSOUDE : Related Services

► Guidance and technical support

A welding application specialist in your area will advise you on the welding process and appropriate equipment for your application.

► Commissioning / Training

A complete training program will enable you to start using the equipment immediately and in the best way possible.

► Maintenance / Repair

Maintenance and repair operations can be carried out at the Polysoude plant as well as on site by our service network.

► Rental service

Increase the flexibility of your production! A large range of equipment is available for rental from our hire fleet.

Your partners worldwide

ARGENTINA

STMAC SRL
☎ +54 (0) 11 4247 2184
stmac@telecentro.com.ar

AUSTRALIA

POLYSOUDE S.A.S.
☎ +33 (0) 2 40 68 11 00
info@polysoude.com

AUSTRIA
POLYSOUDE AUSTRIA GmbH
☎ +43 (0) 3613 200 36
austria@polysoude.at

BELGIUM
POLYSOUDE BENELUX
☎ +31 (0) 653 84 23 36
k.meurs@polysoude.com

POLYSOUDE BENELUX (SERVICE)
☎ +31 (0) 653 38 85 58
h.milder@polysoude.com

BRAZIL
AJADE COMÉRCIO INSTALAÇÕES E SERVIÇOS Ltda.
☎ +55 (0) 11 45 24 38 98
fernando@ajade.com.br

BULGARIA
KARWELD EOOD
☎ +359 (0) 29 73 32 15
Karweld@bg400.bg

CANADA
MAG TOOL Inc.
EDMONTON - ALBERTA
☎ 800 661 9983
magtool@magtool.com

MAG TOOL Inc.
CAMBRIDGE - ONTARIO
☎ +1 519 651 10 50
michael@magtool.com

CHINA
POLYSOUDE SHANGHAI CO. Ltd
☎ +86 (0) 21 64 09 78 26
j.zhang@polysoude.cn

CROATIA
EUROARC D.O.O.
☎ +385 (0) 1 2 40 60 77
euroarc@euroarc.hr

CZECH REPUBLIC
POLYSOUDE CZ
☎ +420 602 60 28 55
m.matousek@polysoude.cz

DENMARK
POLYSOUDE DENMARK
☎ +45 (0) 32 94 85 10
orbital@polysoude.dk

EGYPT
POLYSOUDE UK
☎ +44 (0) 1942 820 935
info@polysoude.com

ESTONIA
POLYSOUDE S.A.S.
☎ +33 (0) 2 40 68 11 00
info@polysoude.com

FINLAND
SUOMEN TEKNOHAUS OY
☎ +358 (0) 927 47 2 10
info@teknohaus.fi

FRANCE
POLYSOUDE S.A.S.
☎ +33 (0) 2 40 68 11 00
info@polysoude.com

GERMANY
POLYSOUDE DEUTSCHLAND KORNWESTHEIM
☎ +49 (0) 7154 1796 90
info@polysoude.com

POLYSOUDE DEUTSCHLAND LEVERKUSEN / OPLADEN
☎ +49 (0) 7154 1796 90
info@polysoude.com

ITALY
POLYSOUDE ITALIA SRL
☎ +39 02 93 79 90 94
info@polysoude.it

JAPAN
GMT CO Ltd - KAWASAKI
☎ +81 (0) 44 222 6751
gmt@e-gmt.co.jp

GMT CO Ltd - OSAKA
☎ +81 (0) 789 35 6751
gmt.kansai@e-gmt.co.jp

JORDAN
POLYSOUDE UK
☎ +44 (0) 1942 820 935
info@polysoude.com

NEW ZEALAND
POLYSOUDE S.A.S.
☎ +33 (0) 2 40 68 11 00
info@polysoude.com

NORWAY
TEMA NORGE AS
☎ +47 (0) 51 69 25 00
tor.inge.tjensvoll@tema-norge.no

PAKISTAN
POLYSOUDE S.A.S.
☎ +33 (0) 2 40 68 11 00
info@polysoude.com

PHILIPPINES
POLYSOUDE S.A.S.
☎ +33 (0) 2 40 68 11 00
info@polysoude.com

SAUDI ARABIA
ALRUQUEE INDUSTRIAL MARKETING COMPANY
☎ +966 (0) 385 7 63 87
I1Manager.Khaldoun@alruqee.com

SINGAPORE
POLYSOUDE ASIA
☎ +65 (0) 65 68 62 60 08
Jmpan@singnet.com.sg

SIN SOON HUAT WELDING PRODUCTS PTE. Ltd
☎ +65 (0) 62 65 60 88
wchng@sshcorp.com

SLOVAKIA
POLYSOUDE CZ
☎ +420 602 60 28 55
m.matousek@polysoude.cz

SOUTH AFRICA
POLYSOUDE S.A.S.
☎ +33 (0) 2 40 68 11 00
info@polysoude.com

SOUTH KOREA
CHEMIKO CO Ltd
☎ +82 (0) 2 567 5336
chemiko@chol.com

SPAIN
PRAXAIR SOLDADURA S.L.
☎ +34 (0) 91 78 55 77 09
Luis_Alfredo_de_Andres@praxair.com

SWEDEN
POLYSOUDE BENELUX
☎ +31 (0) 653 84 23 36
k.meurs@polysoude.com

SWITZERLAND
POLYSOUDE (SWITZERLAND) Inc.
☎ +41 (0) 43 243 50 80
contact@polysoude.ch

TAIWAN R.O.C.
FIRST ELITE ENT. CO. Ltd
☎ +886 (0) 287 97 88 99
auto.pipe@msa.hinet.net

THAILAND
POLYSOUDE S.A.S.
☎ +33 (0) 2 40 68 11 00
info@polysoude.com

TURKEY
POLYSOUDE S.A.S.
☎ +33 (0) 2 40 68 11 00
info@polysoude.com

UNITED ARAB EMIRATES
GERMAN GULF ENTERPRISES Ltd
☎ +971 (0) 65 31 61 71
info@polysoude.com

UKRAINE
POLYSOUDE RUSSIA
☎ +7 (0) 495 564 86 81
polysoude@co.ru

UNITED STATES
ASTRO ARC POLYSOUDE Inc.
☎ +1 661 702 01 41
sales@astroarc.com

VENEZUELA
ENRIVA C.A.
☎ +58 (0) 243 242 45 41
enriva@cantv.net



GREAT BRITAIN
POLYSOUDE UK
☎ +44 (0) 1942 820 935
info@polysoude.com

GREECE
POLYSOUDE S.A.S.
☎ +33 (0) 2 40 68 11 00
info@polysoude.com

HUNGARY
POLYWELD Kft.
☎ +36 (0) 20 29 88 708
polyweld@polyweld.hu

INDIA
POLYSOUDE INDIA
☎ +91 (0) 20 40 03 59 31
ab.kulkarni@polysoude.in

INDONESIA
P.T. TIRA AUSTENITE
☎ +62 (0) 21 460 25 94
yusuf@tiraustenite.com

ISRAEL
POLYSOUDE S.A.S.
☎ +33 (0) 2 40 68 11 00
info@polysoude.com

LATVIA
POLYSOUDE S.A.S.
☎ +33 (0) 2 40 68 11 00
info@polysoude.com

LITHUANIA
POLYSOUDE S.A.S.
☎ +33 (0) 2 40 68 11 00
info@polysoude.com

MALAYSIA
POLYSOUDE S.A.S.
☎ +33 (0) 2 40 68 11 00
info@polysoude.com

MEXICO
ASTRO ARC POLYSOUDE Inc.
☎ +1 661 702 01 41
sales@astroarc.com

NETHERLANDS
POLYSOUDE BENELUX
☎ +31 (0) 653 84 23 36
k.meurs@polysoude.com

POLYSOUDE BENELUX (SERVICE)
☎ +31 (0) 653 38 85 58
h.milder@polysoude.com

POLAND
TEFROMES Sp. z o.o. - IMIELIN
☎ +48 (0) 32 225 62 77
biuro@tefromes.com.pl

UNIDAWELD - BEDZIN
☎ +48 (0) 32 267 05 54
dariusz.szota@unidaweld.pl

ZALCO Sp. z o.o. - WARSZAWA
☎ +48 (0) 22 894 55 30
mbergman@zalco.pl

PORTUGAL
PRAXAIR PORTUGAL GASES, S.A.
☎ +351 (0) 229 438 320
pbarbosa@praxair.com

ROMANIA
DEBISUD S.R.L.
☎ +40 (0) 255 21 57 85
debisud@rdslink.ro

RUSSIA + C.I.S.
POLYSOUDE RUSSIA
☎ +7 495 564 86 81
polysoude@co.ru