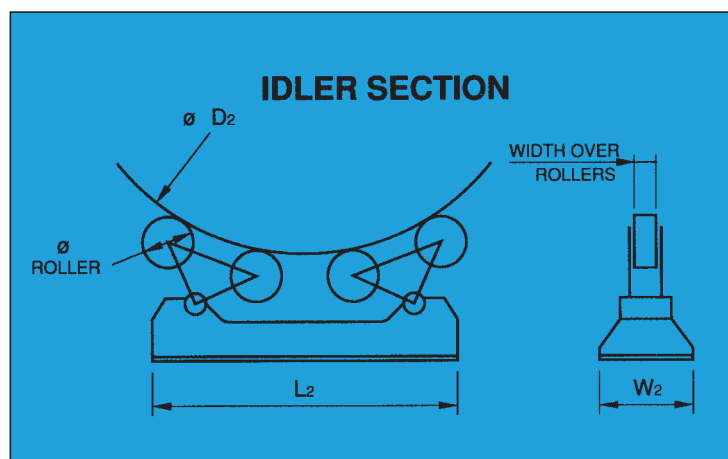
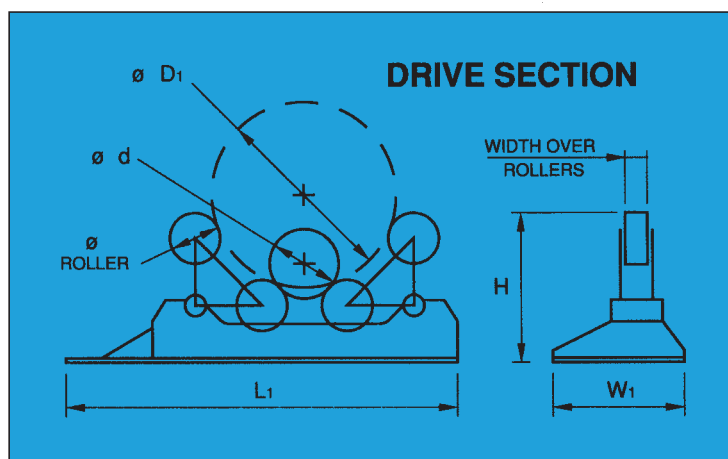


BODE PATENTED SELF-ALIGNING ROTATORS

- Instantly self-aligning to the workpiece.
- Robust all-steel welded construction.
- Clutches incorporated in top rollers of Drive Section to prevent damage to transmission when loading.
- Variable speed rotation through hydrostatic variator or inverter control.
- Tachometer speed indicator (optional).
- Anti-Creep fitted to Idler Section (optional).

Model SAR/TSAR	Drive Capacity (tons)	Load Capacity per Section (tons)	Minimum Diameter (mm) d	Maximum Diameter (mm) D ₂	Roller Diameter (mm)	Roller Width (mm)	Roller Material	Overall Length Drive (mm) L ₁	Overall Width Drive (mm) W ₁	Overall Length Idler (mm) L ₂	Overall Width Idler (mm) W ₂	Height over Rollers (mm) H	Track Gauge (T/SAR) (mm)
60	3	1,5	200	2400	254	76	Rubber	1745	570	1040	440	513	1435
100	5	2,5	380	3100	254	102	Rubber	1754	630	1224	450	565	1435
200	10	5	450	4600	381	127	Rubber	3524	770	1980	540	871	1435
300	15	7,5	450	4600	457	152	Rubber	2660	800	2110	572	905	1435
400	20	10	450	4600	381	76	Polyurethane	2884	830	2010	600	871	1435
500	25	12,5	450	4600	381	102	Polyurethane	2884	830	2010	600	871	1435
600	30	15	450	5200	457	127	Polyurethane	2820	900	2170	600	965	1435
800	40	20	450	5200	457	127	Polyurethane	3050	1000	2205	680	1035	1435
1000	50	25	450	5200	457	152	Polyurethane	3050	1000	2205	680	1035	
1200	60	30	500	5500	559	127	Polyurethane	3100	1100	2530	800	1186	
1600	80	40	500	5500	559	178	Polyurethane	3200	1250	2610	900	1329	
2000	100	50	600	6000	559	260	Polyurethane	3745	1300	2800	940	1356	
2400	120	60	600	6000	559	260	Polyurethane	3745	1300	2800	940	1356	
3000	150	75	600	6000	559	310	Polyurethane	3745	1650	3020	1200	1384	
4000	200	100	1000	7000	559	360	Polyurethane	4100	1700	3280	1250	1414	
5000	250	125	1000	7000	559	180	Steel	4150	1500	3290	1000	1414	
6000	300	150	1000	7000	559	203	Steel	4200	1550	3290	1050	1414	
8000	400	200	1000	7500	559	254	Steel	4515	1725	3510	1140	1567	
10000	500	250	1000	8000	700	178	Steel	5400	1900	4000	1320	1720	
12000	600	300	1000	8000	710	254	Steel	6000	2100	4100	1500	1790	



SAR 60

3 tonnes capacity.

Drive Section equipped with thyristor control.



SAR 2000

Deaerator Storage Tank Section – supported on Model **SAR 2000** Self-Aligning Rotators.
(Courtesy of: GEC ALSTHOM Heat Exchange Limited).

Construction:

BODE Self-Aligning (patented) Rotators provide an economical and practical answer of cylindrical vessel rotating problems.

The unique design permits the rollers to align themselves to the workpiece without any manual pre-adjustment whatsoever and irrespective of ovality or irregularity. The vessel remains central to the frames irrespective of diameter, and frequent adjustment of the welding head becomes unnecessary.



SAR 4000 Special

80 tonnes capacity.
Drive Section equipped with thyristor control. Idler Section Incorporates Anti-Creep device.



SAR 5000/H

250 tonnes capacity.
Drive Section equipped with thyristor control. Idler Section incorporates Anti-Creep device. A hydraulic facility is incorporated which enables the vessel sections to be readily aligned.



BODE PATENTED TRAVERSING SELF-ALIGNING ROTATORS

***On Track to Turn Out a
Perfect Engineered Product***

