

Arcair® SLICE® Complete Pack and Battery Pack

SLICE Complete Pack

Rugged aluminum carrying case

- * packed with the basic items needed to do a cutting job

Self-contained cutting system

- * lends itself well to the emergency type cutting situations where seconds count
- * complete unit weighs 75 lbs. (34kg)
- * storage compartment with hinged door for parts storage during transportation

Power connections twist-lock style connection

- * easy to connect to battery box assembly for both torch and striker
- * color coded connectors

Industrial oxygen hose connected to the torch

- * industry standard "green" hose supplies the torch with oxygen
- * standard fittings used to connect to oxygen regulators



SLICE COMPLETE PACK

Part No.	Description
63-991-002	SLICE Complete Pack 120 VAC @60Hz
63-991-005	SLICE Complete Pack 220 VAC @50Hz



SLICE Battery Pack

Rugged tool box carrying case

Power connections twist-lock style connection

- * easy to connect to battery box assembly for both torch and striker
- * color coded connectors

Industrial oxygen hose connected to the torch

- * industry standard "green" hose supplies the torch with oxygen
- * standard fittings used to connect to oxygen regulators
- * color coded connections

SLICE BATTERY PACK

Part No.	Description
63-991-003	SLICE Battery Pack 120 VAC @60Hz
63-991-007	SLICE Battery Pack 220 VAC @50Hz

SLICE[®] Exothermic Cutting Torch

Arcair[®]



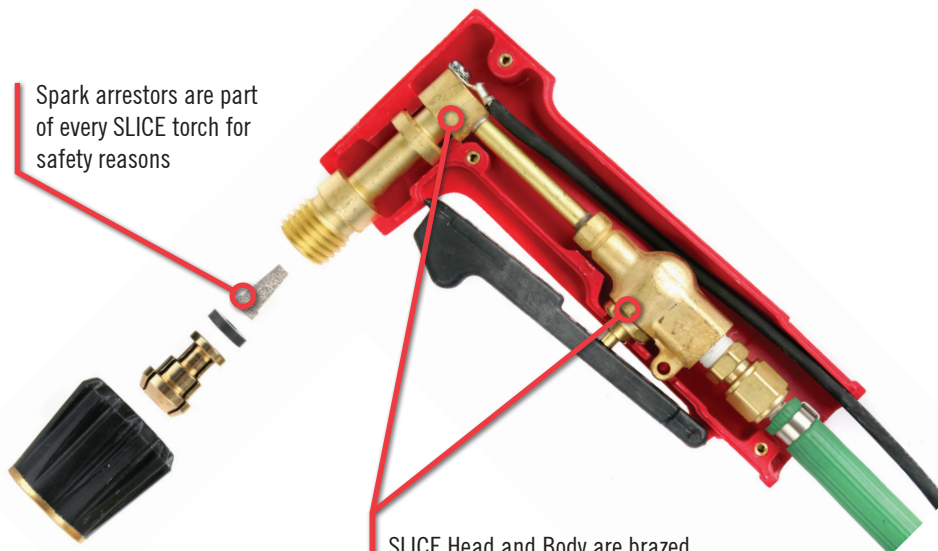
SLICE torch can use 1/4" & 3/8" diameter of cutting rods by simply changing the collet nut and collet chuck

Comfortable and easy to use pistol grip design handle

Lightweight shield to help protect the operator from heat and sparks

Easy to squeeze lever on the handle for easy oxygen control

Industrial grade oxygen hose 10ft. (3 M) length is standard



Spark arrestors are part of every SLICE torch for safety reasons

SLICE Head and Body are brazed together and are thoroughly cleaned to be oil free for use with oxygen



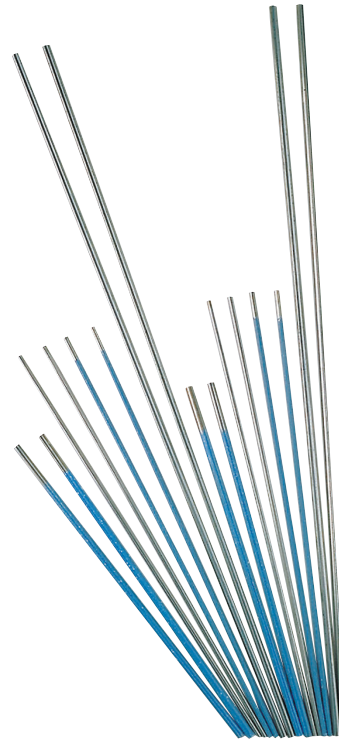
Slice Cutting Rods

Specially designed cutting rod

- * one piece patented construction maintains the balance necessary to sustain the exothermic reaction
- * cutting rod sustains the burn without constant electrical power once ignited

SLICE CUTTING RODS

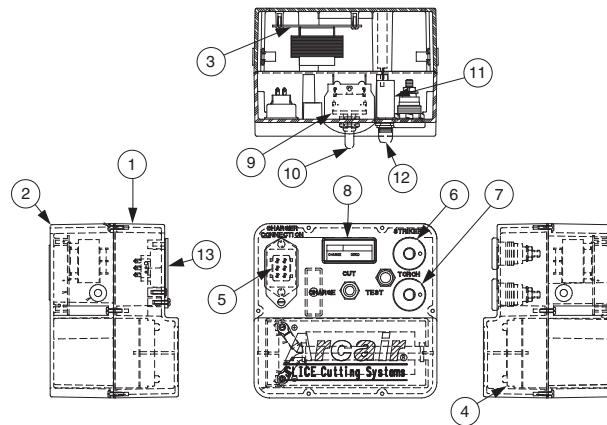
Uncoated Part No.	Coated Part No.	Description
43-049-002	42-049-002	1/4" x 22" (6.4mm x 55.9cm) 25 each /carton
43-049-003	42-049-003	1/4" x 22" (6.4mm x 55.9cm) 100 each /carton
43-049-005	--	1/4" x 44" (6.4mm x 111.8cm) 25 each /carton
43-049-007	42-049-005	3/8" x 18" (9.5mm x 45.7cm) 50 each / carton
43-049-009	--	3/8" x 36" (9.5mm x 91.4cm) 25 each / carton

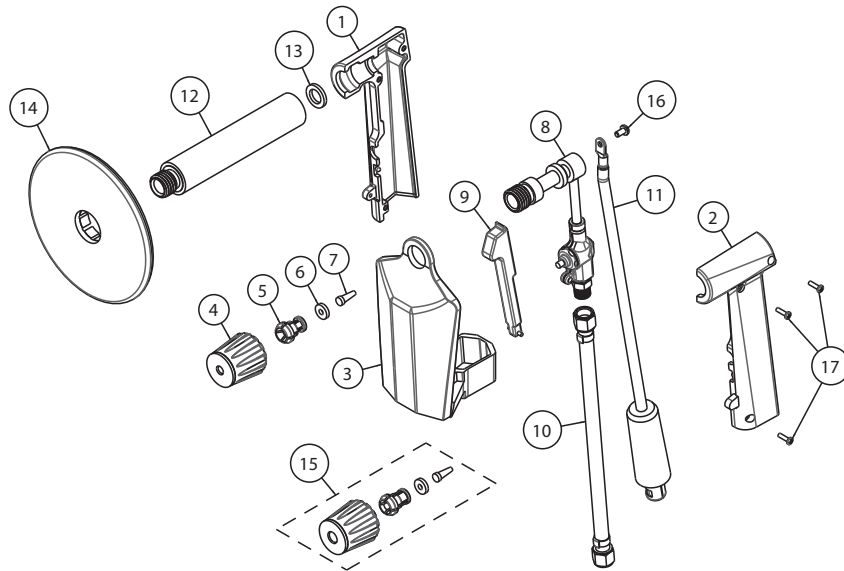


Arcair[®]

SLICE BATTERY PACK REPLACEMENT PARTS

#	Part No.	Description
1	94-134-043	Front Half Case
2	94-134-032	Back Half Case
3	96-162-752	Circuit Board Assembly
4	96-076-018	Battery Assembly
5	96-169-382	6-Pin Male Connector
6	96-169-374	Red Female Receptacle
7	96-169-375	Black Female Receptacle
8	96-508-041	Meter
9	96-834-347	Toggle Switch
10	94-766-052	Toggle Switch Seal
11	96-110-012	Circuit Breaker
12	94-766-053	Circuit Breaker Seal
13	94-171-285	Connector Cover





SLICE TORCH REPLACEMENT PARTS

#	Part No.	Description	#	Part No.	Description
1	94-370-166	Handle - Rightt Half	11	94-396-193	Oxygen Hose - 10ft. (3M)
2	94-370-167	Handle - Left Half		96-130-279	Cable Assembly for SLICE Torch Part No. 03-003-000
3	94-777-109	Shield		96-130-276	Cable Assembly (Utlility & Industrial Pack)
4	94-168-022	1/4" Collet Nut Assembly		96-130-319	Cable Assembly (Battery & Complete Pack)
	94-168-024	3/8" Collet Nut Assembly		96-130-324	Cable Assembly (Cordless Pack)
5	94-158-048	1/4" Collet Chuck	12	94-168-023	Extension - 6" (15.24cm)
6	94-158-045	3/8" Collet Chuck	13	94-940-108	Washer
7	94-940-109	Washer	14	94-777-111	Extension Shield
8	94-305-009	Flashback Arrestor	15	94-463-032	3/8" Conversion Kit
9	94-378-338	Head/Body Assembly	16	--	10-32 Pan Head Screw
10	94-476-082	Lever Assembly	17	--	6-32 x 9/16" Pan Head Screw

SLICE STRIKER REPLACEMENT PARTS

#	Part No.	Description
1	94-370-168	Handle - Right Half
2	94-370-169	Handle - Left Half
3	96-070-031	Striker Bar
4	96-130-320	Cable Assembly
5	94-370-168	#10-32 x 3/8" Pan Head Screw
6	94-370-169	#10-32 Hex Nut
7	96-070-031	#6-32 x 1-1/14" Pan Head Screw
8	96-130-320	#6-32 x 3/4" Pan Head Screw

